

GENERAL PURPOSE ENGINE

GX390UH1

PARTS CATALOGUE

1



GX390UH1

FOREWORD INDEX

1

ENGINE GROUP

2

PART NUMBER INDEX

3

PART NAME INDEX

4

Instruction for use of parts catalogue

- **This parts catalogue was prepared based on the latest information available as of January 10, 2008.**
- See the parts catalogue news for any revision that is made after January 10, 2008.
- **Always specify the part number when ordering a part.**
 - Check the model, type, serial numbers, color, maker, and the size as needed before ordering a part.
 - Note that the illustrations (part drawings) can differ from the actual parts in shape. They are given just to help you to refer to the parts.
- **When modifications or additions to this parts catalogue are made, a revised edition will be issued at an appropriate time, with successively progressing revision numbers on the cover. We recommend obtaining such revisions in order to keep your parts catalogue up-to-date at all times. To check whether a parts catalogue revision has been issued, please contact your Honda distributor.**

Initial version issue date **January 10, 2008**
Honda Motor Co., Ltd.

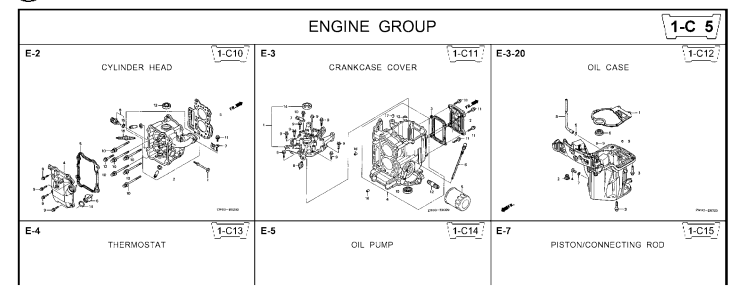
CONTENTS

	Page	Address No.	
● Instruction for use of parts catalogue	1	B 1	1
● How to refer to the part information	2	B 2	
● Part catalogue structure	3	B 3	
● When the parts were revised	4	B 4	
● Abbreviations used in the parts catalogue	4	B 4	
● How to check the part block and serial numbers	5	B 5	
● Models, parts catalogue codes and applicable serial numbers	6	B 6	
● Features of each type	6	B 6	
● Fuel hose, general purpose hoses and vinyl hose	7	B 7	
● FLAT RATE SERVICE TIME	8	B 8	
● Illustrated index	13	B13	
● ENGINE GROUP	16	C 1	2
● PART NO. INDEX	42	E 1	3
● PART NAME INDEX	44	F 1	4

How to refer to the part information

1

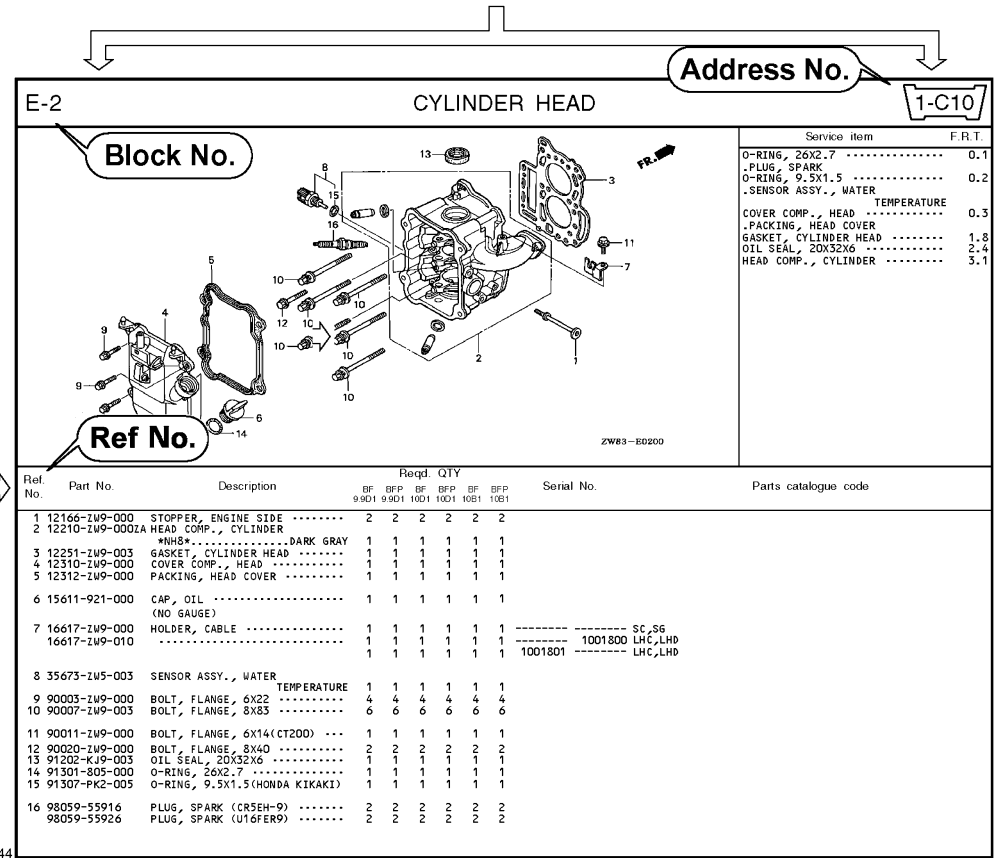
A Reference with "Illustrated index"



B Reference with "Part number index"

PART NO. INDEX

Part Number	Address	Page	Ref.	Part Number	Address	Page
06000				15212-ZW9-000	1-C14	3C
06316-ZW9-000	1-G9	88	1	15220-ZW9-003	1-C14	3C
11000				15332-ZW9-000	1-E8	55
11300-ZW9-405	1-C11	27	1	15332-ZW9-A30	1-E11	5E
11300-ZW9-406	1-C11	27	1	15400-PFB-004	1-C11	27
11340-ZW9-000	1-C11	27	2	15422-ZW9-000	1-C14	3C
11342-ZW9-000	1-C11	27	3	15473-881-000	1-C14	3C
11381-ZW9-003	1-C12	28	1	15474-ZW9-000	1-C14	3C
				15611-921-000	1-C10	2E
				15655-ZW9-000	1-C11	27
12000				16000		
12000-ZW9-405ZA	1-C11	27	4	16010-ZV4-005	1-D4	3E
12155-ZV4-A00	1-C13	29	1	16011-ZV4-005	1-D4	3E
12166-ZW9-000	1-C10	26	1	16013-ZW9-003	1-D4	3E
12209-GB4-681	1-C16	32	1	16016-ZW9-003	1-D4	3E
12210-ZW9-405ZA	1-C10	26	2	16016-ZW9-721	1-D4	3E
12216-ZE2-300	1-E8	55	1	16023-ZW9-003	1-D4	3E
	1-E11	58	1	16024-ZV4-650	1-D4	3E
				16028-ZV4-650	1-D4	3E



C Reference with "Part name index"

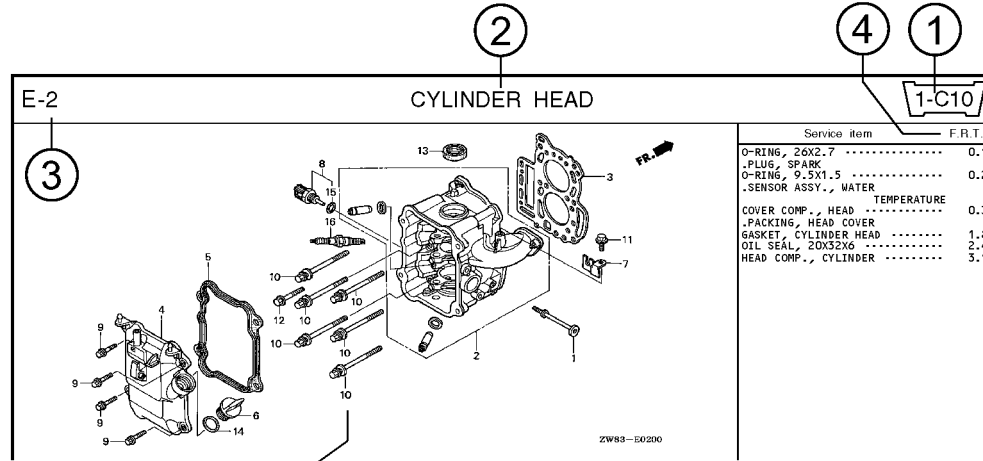
PART NAME INDEX

Part name	Address	Page	Ref.
[A]			
ABSORBER, FUEL	1-E15	62	5
ARMATURE COMP.	1-D11	43	7
ARM COMP., LINK JOINT	1-G6	85	18
ARM COMP., SHIFT LINK	1-G6	85	14
ARM COMP., TILT	1-F15	79	20
ARM, FUEL PUMP ROCKER	1-C16	32	4
ARM, REVERSE LOCK	1-F15	79	18
ARM, SHIFT LINK	1-F11	74	7
ARM, STOPPER	1-D1	33	12
ARM, THROTTLE REMOTE	1-F11	74	6
ARM, VALVE ROCKER	1-C16	32	3
[B]			
BAG, TOOL, 160MM	1-G5	84	10
BAND	1-G6	86	37
BAND B1, WIRE	1-F6	69	1
BAND, CORD	1-F3	67	18
BAND, TUBE CLIP, 11MM	1-E15	63	20
BAND, TUBE CLIP, 12.5MM	1-E15	63	19

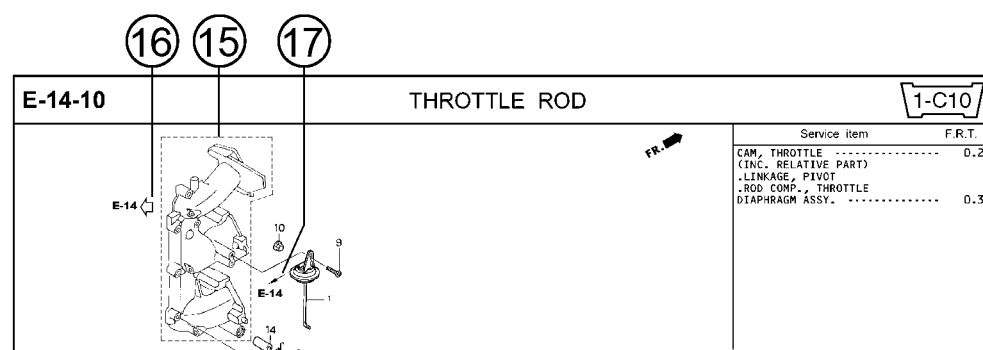
Page No.

2008.09.20 E

Part catalogue structure



Ref. No.	Part No.	Description	Reqd. QTY						Serial No.	Parts catalogue code
			BF 9/9D1	BFP 9/9D1	BF 10D1	BFP 10D1	BF 10B1	BFP 10B1		
1	12166-ZW9-000	STOPPER, ENGINE SIDE	2	2	2	2	2	2		
2	12210-ZW9-000ZA	HEAD COMP., CYLINDER *NHS* DARK GRAY	1	1	1	1	1	1		
3	12251-ZW9-003	GASKET, CYLINDER HEAD	1	1	1	1	1	1		
4	12310-ZW9-000	COVER COMP., HEAD	1	1	1	1	1	1		
5	12312-ZW9-000	PACKING, HEAD COVER	1	1	1	1	1	1		
6	15611-921-000	CAP, OIL (NO GAUGE)	1	1	1	1	1	1		
7	16617-ZW9-000	HOLDER, CABLE	1	1	1	1	1	1	SC,SG	
	16617-ZW9-010		1	1	1	1	1	1	1001800 LHC,LHD	



- ① **Address number**
 - Address No. is provided (in place of the page No.) to help you refer to the part with the part No. or part name.
- ② **Block title** ③ **Block number**
- ④ **Service item/Flat rate time**
- ⑤ **Reference number**
 - Title number marked with the parenthesis or parentheses indicates that it continues from the previous page.
- ⑥ **Part number** ⑦ **Honda color code**
- ⑧ **Description**
- ⑨ **Assemblies**
 - Sections framed with broken lines in the exploded view drawings are available as complete assemblies. (Their individual parts can also be obtained.)
- ⑩ **Color description**
- ⑪ **Note**
 - Notes are shown with the parentheses in the part name column.
- ⑫ **Required quantity**
 - Required QTY shown in the parenthesis or parentheses indicates the optional part.
 - Required QTY marked with "N" Indicates the optional part that should be selected as needed.
 - Required QTY indicates the number of the part used in the block.
- ⑬ **Serial number**
- ⑭ **Type**
 - When the type column is blank, it indicates that the part is applicable to all types.
 - As the type of the actual unit may differ from the "parts catalogue, type" please refer to "Models, types and applicable serial numbers" for confirmation.
- ⑮ **[Dotted line]**
 - Parts enclosed within a dotted line [] are covered in a different block.
- ⑯ **[Hollow arrow]**
 - A hollow arrow [] indicates the block No. for the parts enclosed within a dotted line [] .
- ⑰ **[Solid arrow]**
 - A solid arrow [] indicates the block No. the part in question is connected to.

When the parts were revised



Be sure to check the serial number!!



Ref. No.	Part No.	Description	Reqd. QTY						Serial No.
			BF 99D1	BFP 9.9D1	BF 10D1	BFP 10D1	BF 10B1	BFP 10B1	
1	12166-ZW9-000	STOPPER, ENGINE SIDE	2	2	2	2	2	2	
2	12210-ZW9-000ZA	HEAD COMP., CYLINDER *NHS* DARK GRAY	1	1	1	1	1	1	
3	12251-ZW9-003	GASKET, CYLINDER HEAD	1	1	1	1	1	1	
4	12310-ZW9-000	COVER COMP., HEAD	1	1	1	1	1	1	
5	12312-ZW9-000	PACKING, HEAD COVER	1	1	1	1	1	1	
6	15611-921-000	CAP, OIL (NO GAUGE)	1	1	1	1	1	1	
7	16617-ZW9-000	HOLDER, CABLE (###)	1	1	1	1	1	1	SC, SG LHC, LHD LHC, LHD
	16617-ZW9-010	1	1	1	1	1	1	

The number has been used from the initial model without revision. When shown at the left side, it is applicable to the models of No.1001801 and the subsequent numbers. When shown at the right side, it is applicable to the models up to No.1001800.

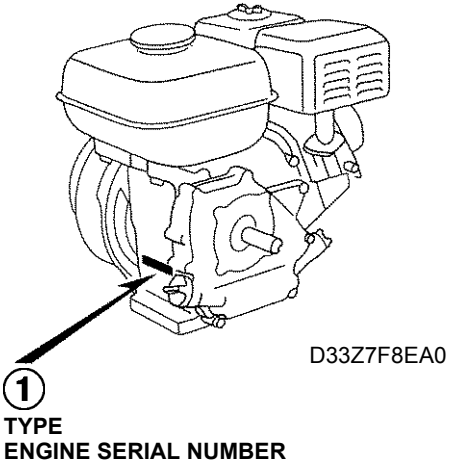
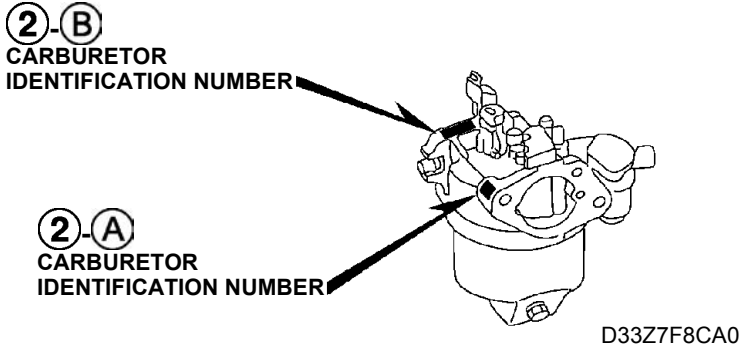
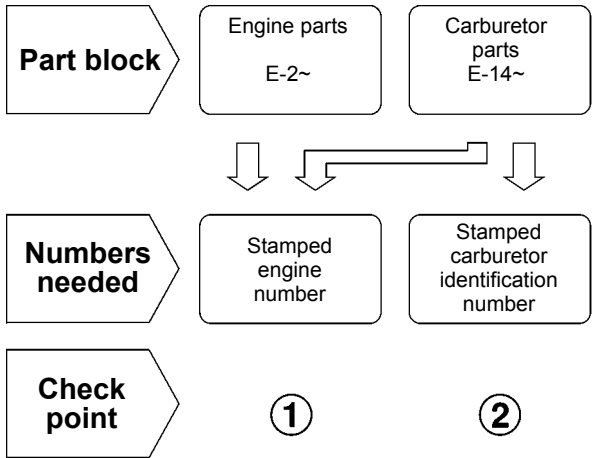
• The parts listed with "###" at the end of the parts name have limited supply period (parts not for sale).

Abbreviations used in the parts catalogue

• The following abbreviations are used in the parts name column.

- A Ampere
- A.C. Alternating current
- ASSY. Assembly
- AT. Automatic transmission
- C.D.I. Capacitive discharge ignition
- COMP. ... Complete
- D.C. Direct current
- EX. Exhaust
- G.F.C.I ... Ground fault circuit interruptor
- HEX. Hexagonal
- H.S.T. Hydrostatic transmission
- FR.Front
- IN.Inlet
- L (100L) .Link (100 Links)
- L.Left
- MMMillimeter
- MT.Manual Transmission
- P.T.O.Power take off
- R.Right
- RR.Rear
- STD.Standard
- T (22T) ...Tooth (22 Teeth)
- VVolt
- WWatt

How to check the part block and serial numbers



Models, parts catalogue codes and applicable serial numbers

- Models, parts catalogue codes and applicable serial Nos. given in this parts catalogue can be identified as follows.

Model	Type	Parts catalogue type	Applicable engine serial No.	Applicable carburetor identification No.
GX390UH1	QAA2	QAA2	GCAHH-1000001~	BE85T A
	QTT	QTT		
	QXC9	QXC9		BE85V A
	VPX5	VPX5		BE89L A

* Of carburetor identification numbers, only the portions underlined in the example below are used for registration.

BE 85T A KC †
 (A) (B)

Features of each type

- See the following table for the features of each type. (Items in brackets are optional)

Specifications	Model	GX390UH1			
	Type	QAA2	QTT	QXC9	VPX5
Crankshaft	25.4mm Ø X 142.5mm Straight	●	●	●	
	5/16" Tapered				●
Engine stop switch		●	●	●	
Air cleaner	Silent	●	●		
	Cyclone			●	
	Standard (Generator)				●
Muffler cover					(●)

Fuel hose, general purpose hoses and vinyl hose

- The standard part fuel hose, general purpose hose and vinyl hose may be substituted by the coiled bulk part.
- When ordering the standard part fuel hose, general purpose hose and vinyl hose use the bulk part number written in the parts catalog in brackets () underneath the part name.
- When exchanging the hose, cut and use at the specified length as mentioned in the part name.
(For the method of cutting the bulk part, and method of filling out orders etc., please refer to the instructions issued with the bulk part.)

Bulk part number of fuel hose, general purpose hose and vinyl hose.

Example: 9 5 0 0 1 - 7 5 0 0 1 - 5 0 M

Bulk part number:
Refers to the bulk part.

Marking code (fuel hose and general purpose hose)

Change code (Vinyl hose)

Indicates number mark or change sequence, however, the code for the bulk part must be strictly 0 (zero).

Types of code:

- | | | | | | |
|-------------|--|----------------|--|--------------|---|
| • Fuel hose | 2: Red outside braid
(3 mm inside dia. only) | • General hose | 1: Ash gray
2: Ash gray
3: Black
5: Black | • Vinyl hose | 1: Clear
2: Black
3: Light red
6: Light red
7: Pale black |
| | 5: Black inside braid | | | | |
| | 3: Red (3 mm inside dia. only) | | | | |
| | 4: Ash gray with red stripe
(3 mm inside dia. only) | | | | |
| | 6: Black | | | | |

Lengths:

- 001: 1 m (standard)
003: 3 m
008: 8 m } Application or specification of some parts is not settled.

I.D code: (fuel hose and general purpose hose)

- | | | | | |
|------------|--------------------|--------------------|-----------------------------|-----------------------------|
| 30: 3.0 mm | 50: 5.0 mm | 70: 7.0 mm | 11: 11 mm | 12: 12 (outside dia. 17) mm |
| 35: 3.5 mm | 55: 5.3 mm, 5.5 mm | 75: 7.3 mm, 7.5 mm | 91: 12 (outside dia. 15) mm | 14: 14 mm |
| 45: 4.5 mm | 65: 6.5 mm | 80: 8.0 mm | 92: 12 (outside dia. 16) mm | 17: 17 mm |

ID./OD. code: (vinyl hose)

- | | | | | |
|-------------------------|--------------------------|---------------------------|---------------------------|---------------------------|
| 01: ID. 2.9, OD. 6.8 mm | 12: ID. 5.0, OD. 7.0 mm | 21: ID. 8.0, OD. 9.0 mm | 37: ID. 11.0, OD. 15.0 mm | 50: ID. 16.0, OD. 19.0 mm |
| 03: ID. 3.0, OD. 6.0 mm | 10: ID. 5.0, OD. 8.0 mm | 23: ID. 8.0, OD. 12.0 mm | 38: ID. 12.0, OD. 13.0 mm | 55: ID. 17.5, OD. 20.5 mm |
| 05: ID. 3.5, OD. 6.5 mm | 11: ID. 5.0, OD. 9.0 mm | 25: ID. 9.0, OD. 11.0 mm | 39: ID. 12.0, OD. 14.0 mm | 60: ID. 22.0, OD. 27.0 mm |
| 07: ID. 4.0, OD. 7.0 mm | 14: ID. 6.0, OD. 9.0 mm | 27: ID. 9.0, OD. 13.0 mm | 40: ID. 12.0, OD. 16.0 mm | |
| 08: ID. 4.5, OD. 6.5 mm | 17: ID. 7.0, OD. 9.0 mm | 33: ID. 10.0, OD. 14.0 mm | 43: ID. 13.0, OD. 15.0 mm | |
| 09: ID. 4.5, OD. 8.0 mm | 19: ID. 7.0, OD. 11.0 mm | 36: ID. 11.0, OD. 13.0 mm | 45: ID. 14.0, OD. 18.0 mm | |

Hose type:

- 1: Fuel hose
3: Vinyl hose
5: General hose

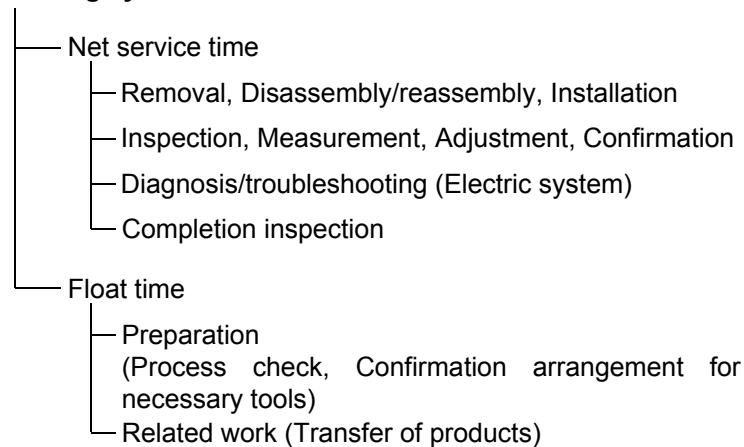
⊙ **CAUTION: It is DANGEROUS to confuse the fuel hose with the general purpose hose or vinyl hose.**

Never use a general purpose hose or vinyl hose in place of a fuel hose or vice versa. Always use the correct bulk part in the parts catalogue, according to the service manual or the instructions issued with the bulk part.

FLAT RATE SERVICE TIME

Flat rate service time (FRT) means the standard time required to service a product, which is listed in this manual to help the dealers control the actual working process and calculate the service charge by using it as a guide.

FRT setting system



* Float time is set by multiplying the net service time by a given coefficient.

Editorial style

The service items shown in the text are listed with the exchange work time for the repair sales parts as the subject. Other representative service items not using repair parts (removal/installation, adjustment, inspection/measuring, and other work) are listed collectively in the list in the preface, classified according to the work.

FRT setting standard

- Decimal system (in unit of 0.1) is adopted to set FRT as it is convenient to calculate the wage.
Example: (0.1) → 6 minutes, (0.2) → 12 minutes
[Labor cost per hour] x [FRT] = [Wage]
- FRT is set with a hand tool.
- Service items and FRT can be subject to change depending on development of tools and service equipment and improvement in service procedure.

Work procedure

- As the work procedure is set with the work time according to the method in the separate Service Manual, refer to this Manual as required.
- Work methods permitting servicing in the shortest time still permitting assurance of safe work and product warranty are used for the setting of service items not listed in the Service Manual.
- Work basically is to be performed by one person, and when two or more people are required, setting is done as the total time for the number of people.
- The set value for the technological level of the workers uses a person with three years of experience in the repair of Honda products as the standard.
- Special tools and service equipment used to set FRT are those specified or recommended in Service Manual.

Service item whose FRT is not presented

- Accessories and service parts that are not listed to use in this manual.
 - Locations with little aging deterioration or breakage during normal use.
 - Service work that can be finished by one touch.
 - Service work that is seldom done (i.e. extremely small causes of trouble and service frequency).
 - Products and parts whose location for installation differs according to its status of use and application.
- * When FRT is not presented, please calculate wages based on appropriate actual work time.

Operation not included of FRT

- Oil and coolant water draining, Waiting time for warming up operation and etc..
- Additional operation that involves removal/installation of standard exterior equipment.
- Indirect time spent for service by visiting the customer, trade-in, and delivery.
- Indirect time required for ordering and delivery of parts.
- Cost for grease, adhesive agent, etc. used for service work.

**Explanation of FRT by using an example
(The example may differ from the actual presented items)**

Ref. No.	L.O.N.	(Relative ref. Number) Description	F.R.T.
①	1111L1	④ VALVE, INTAKE4.1	②
②		⑧ • NOTE: OHV type	⑦
③	1111L1A	⑤ • Includes: Engine removal and installation One head (intake all) add 1.4	

- ① Reference No. of the illustration of part that shows location of the replacement work.
- ② FRT is an abbreviation of Flat Rate Time indicating the standard service time required for the replacement.
- ③ LON is an abbreviation of Labor Operation Number, and it is a classification of the service items by the work unit code.

The same operation code is used regardless of the models.

Standard operation is indicated with 6 digits code, and additional operation is indicated with 7 digits code.

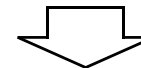
- ④ Indicating the intake valve replacement and FRT4.1.
- ⑤ Indicating FRT1.4 that will be added when additional operation (whole intake side of one cylinder head) is done in association with intake valve replacement.

- ⑥ Indicating work condition or application condition of the service item.
- ⑦ Indicating work contents that are included in the service item.
- ⑧ Indicating a reference No. whose operation and time are the same as FRT4.1 for the intake valve.

(The application range is limited to the service items without an LON setting within a same block.)

**How to refer to the service item by using the sample
(intake valve replacement)**

Open to the page of the block where the intake valve's spare part illustration is shown.



Look for the intake valve illustration, and refer to the service item and FRT that agree with the reference No.

Indication mark for the listing of service items that continues to the following page

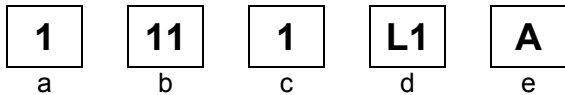
Ref. No.	L.O.N.	(Relative ref. Number) Description	F.R.T.
2	1111L1	VALVE, INTAKE	4.1
	.	.	.
	.	.	.

+
Mark indicated at the last line.

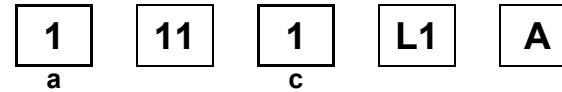
Indication of the block with no setting of FRT

Ref. No.	L.O.N.	(Relative ref. Number) Description	F.R.T.
NO INFORMATION			

• LON code system



- a) Category code..... Engine
- b) Location/function code Engine upper
- c) Operation code..... Replace
- d) Operation sequence number (Unit code can be shown with alphabet)
..... Intake valve
(No regular rule of code)
- e) Additional code One head (intake all)
(No regular rule of code)



a) Category codes and classification

Code	Category
1	Engine
2	Power drive
3	Fuel & Exhaust
4	Frame & Body
5	Steering
6	Electrical
7	Axle & Brake
8	Control system
9	-
0	Attachments

c) Operation codes and classification

Code	Operation category
1	Replace, Removal/Installation, Change
2	Overhaul
3	Adjust, Rotation
4	(Paint-related work: Top-coat)
5	Test, Inspect/diagnose, Measurement
6	(Overhaul-related work: Rebore)
7	(Overhaul-related work: Reseal)
8	(Resurface)
9	(Paint-related work: Refinish)
0	Repair, Cleaning, Air bleeding

Major service items without using spare parts

- (1) Removal/Installation, (2) Adjustment,
(3) Inspection/Masurement, (4) Overhaul, (5) Other work

E: Engine, T: Transmission, D: Drive system,
B: Body and related parts

(1) Removal/Installation

Set with the parts configuration in the status of being removed from the product.

	LON	DESCRIPTION	FRT
E	1111L3	CYLINDER HEAD ASSEMBLY-REMOVAL/INSTALLATION	0.5

(2) Adjustment

	LON	DESCRIPTION	FRT
E	1113A1	VALVE CLEARANCE-ADJUSTMENT NOTE: For 1 product	0.3
	1163A0	CONTROL, THROTTLE/GOVERNOR-ADJUSTMENT	0.2
	3113A2	CARBURETOR IDLE-ADJUSTMENT	0.2

(3) Inspection, Measurement, Cleaning

	LON	DESCRIPTION	FRT
E	1105A0	ENGINE OIL-INSPECTION	0.1
	3120A0	AIR CLEANER-CLEANING INCLUDES: Air cleaner-inspection	0.2
	3130A0	SPARK ARRESTER-CLEANING	0.2
	6140A0	SPARK PLUG-ADJUSTMENT/CLEANING NOTE: For 1 product	0.1

(4) Overhaul

Work condition: The required Measurements, inspections, adjustments, and cleaning/washing of each part are performed, including the main body removal/installation work and the replacement of defective parts.

	LON	DESCRIPTION	FRT
E	3112A0	CARBURETOR-OVERHAUL INCLUDES: All necessary adjustment	0.6

(5) Other work

	LON	DESCRIPTION	FRT
E	1101E1	ENGINE OIL-CHANGE INCLUDES: Engine oil-inspection	0.1

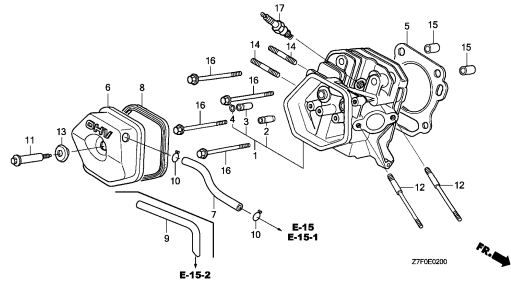
ENGINE GROUP

B13

E-2

CYLINDER HEAD

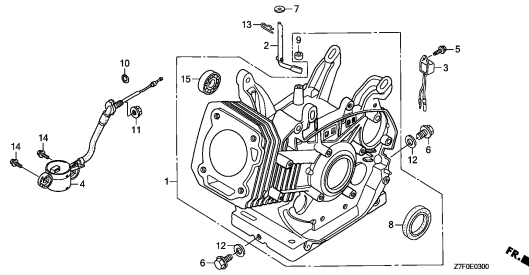
C 1



E-3

CYLINDER BARREL

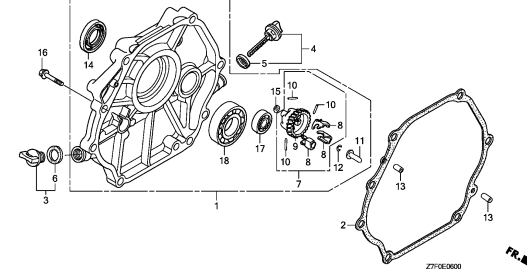
C 2



E-6

CRANKCASE COVER

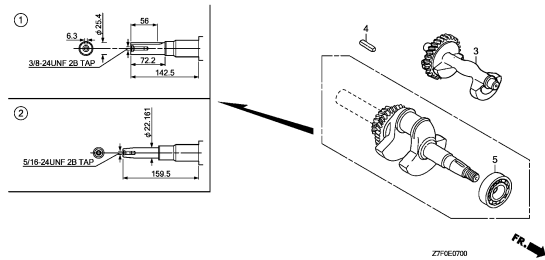
C 3



E-7

CRANKSHAFT

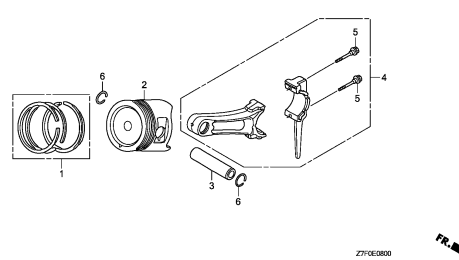
C 4



E-8

PISTON

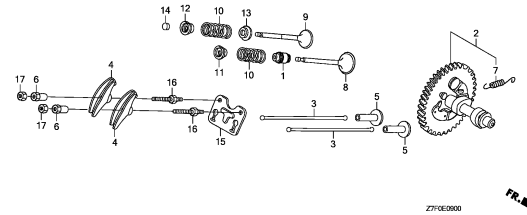
C 5



E-9

CAMSHAFT

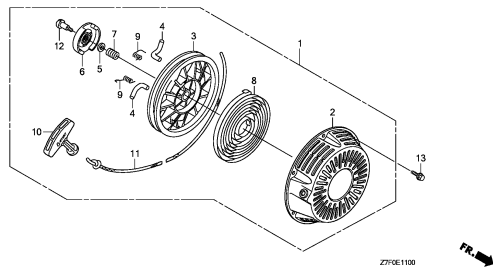
C 6



E-11

RECOIL STARTER

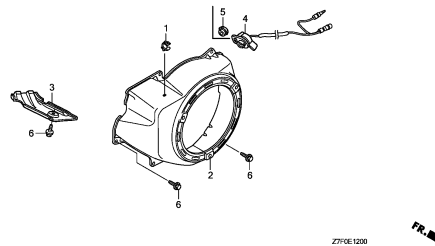
C 9



E-12

FAN COVER

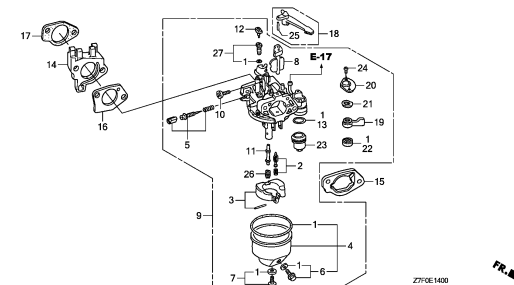
C10



E-14

CARBURETOR(1)

C11



2

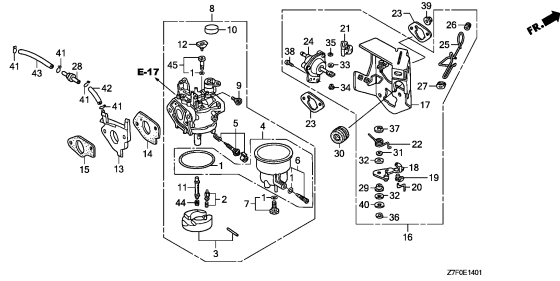
ENGINE GROUP

B14

E-14-1

CARBURETOR(2)

C13

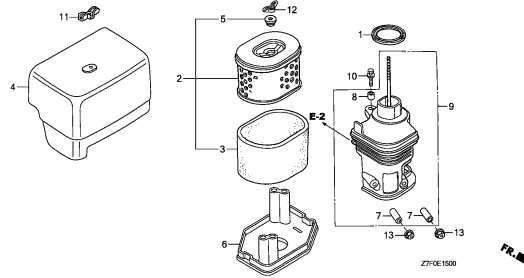


Z7YQE1401

E-15

AIR CLEANER(1)

C15

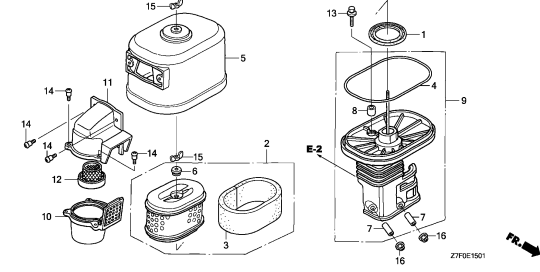


Z7YQE1500

E-15-1

AIR CLEANER(2)

C16

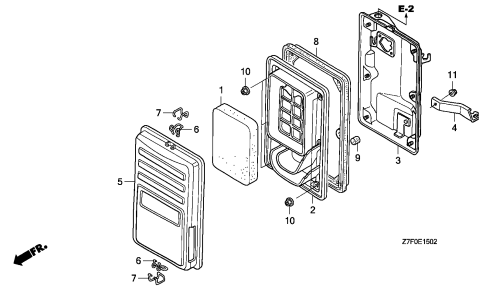


Z7YQE1501

E-15-2

AIR CLEANER(3)

D 1

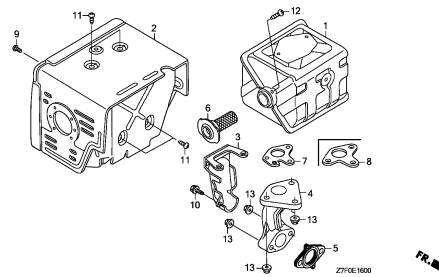


Z7YQE1602

E-16

MUFFLER

D 2

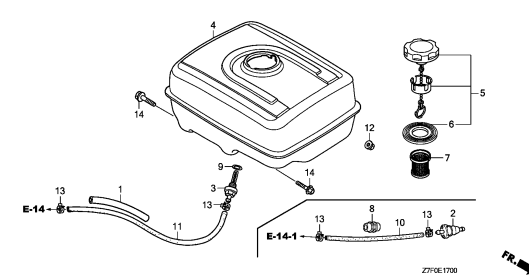


Z7YQE1600

E-17

FUEL TANK

D 3

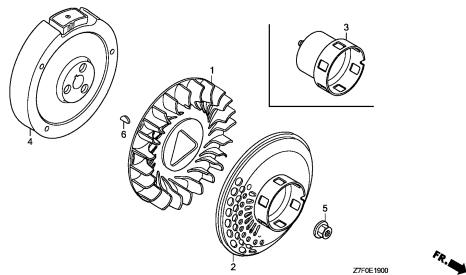


Z7YQE1700

E-19

FLYWHEEL

D 4

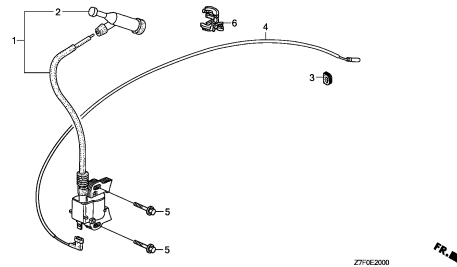


Z7YQE1900

E-20

IGNITION COIL

D 5

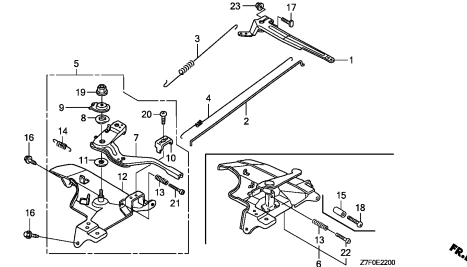


Z7YQE2000

E-22

CONTROL

D 6



Z7YQE2200

2

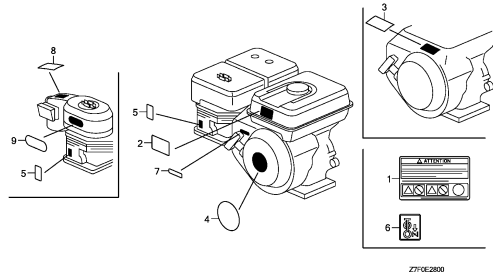
ENGINE GROUP

B15

E-28

LABEL

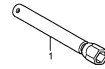
D 7



E-29

TOOL

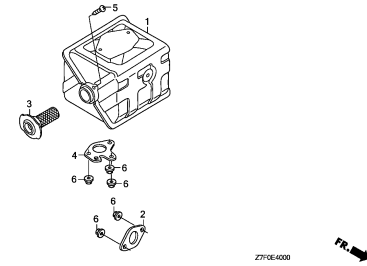
D 8



E-40

OTHER PARTS(MUFFLER)

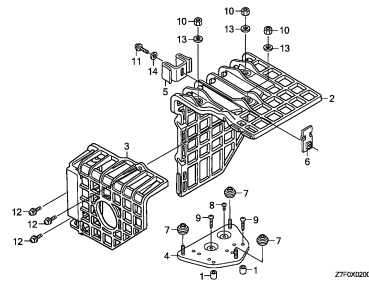
D 9



EOP-2

MUFFLER COVER

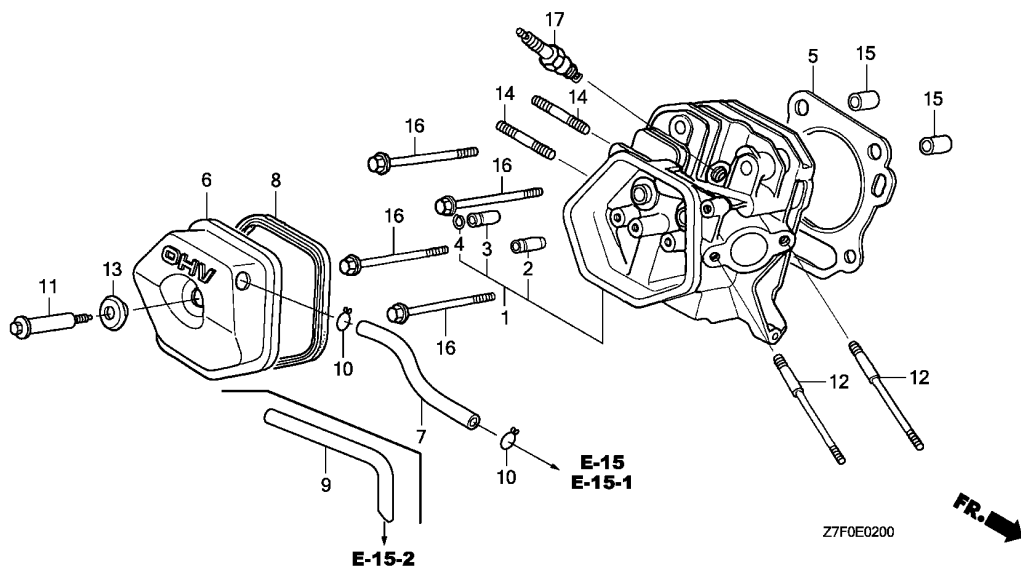
D10



2

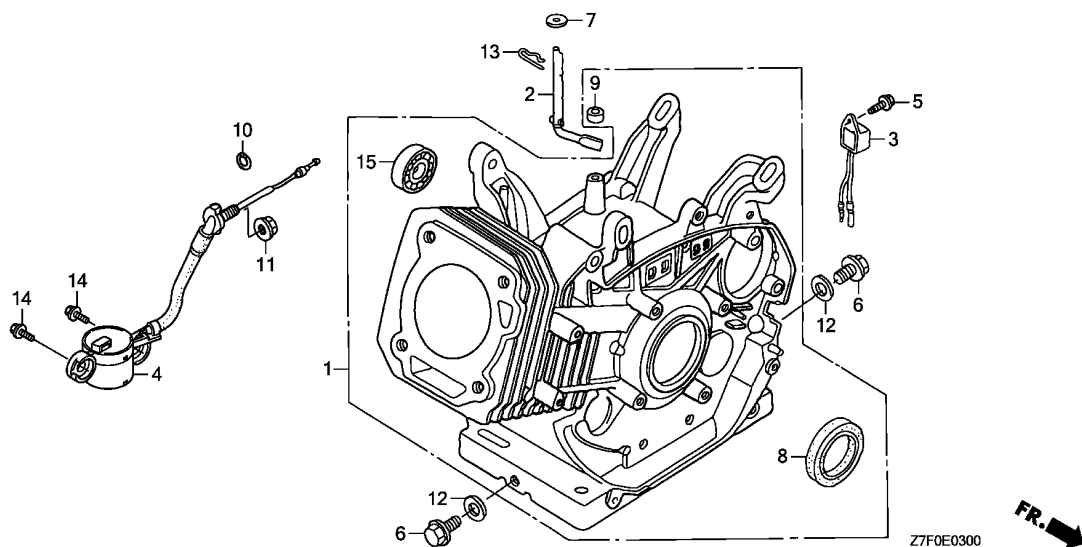
E-2

CYLINDER HEAD



Ref. No.	L.O.N.	(Relative ref. Number) Description	F.R.T.
1	1111N3	HEAD, CYLINDERINCLUDES: Valve clearance adjustment and reface	0.9
2	1111E9	GUIDE, INTAKE VALVEINCLUDES: Valve clearance adjustment	0.8
	1111E9E	.Replace intake and exhaust all add	0.2
3	1111E8	GUIDE, EXHAUST VALVEINCLUDES: Valve clearance adjustment	0.8
	1111E8E	.Replace intake and exhaust all add	0.2
5	1111N4	GASKET, CYLINDER HEAD	0.5
6	1111D5	COVER, CYLINDER HEAD AND/OR PACKING, HEAD COVER	0.1
7	1111K5	TUBE, BREATHER	0.1
17	6141C1	PLUG, SPARK	0.1

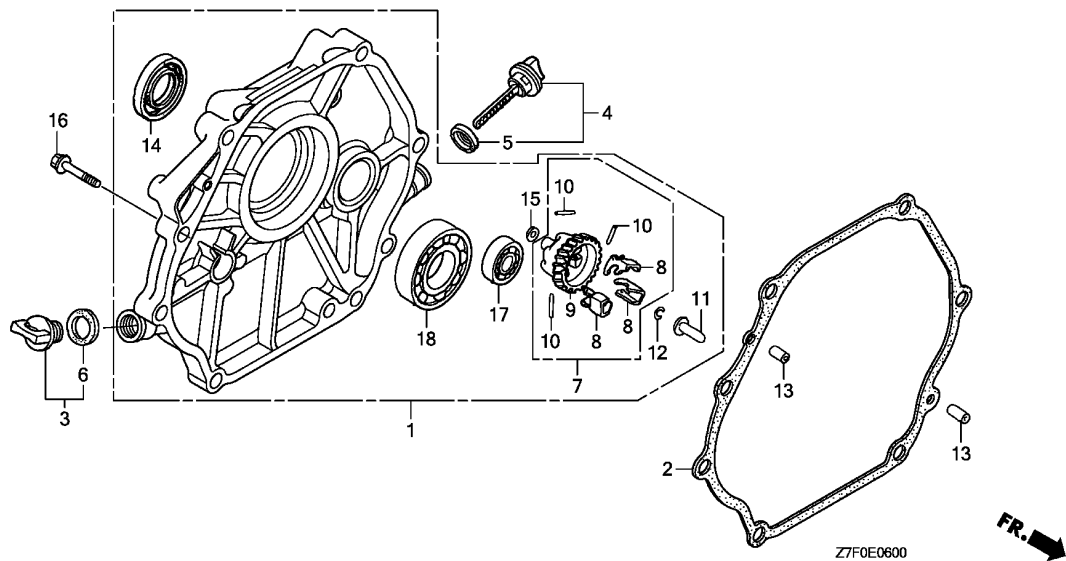
Ref. No.	Part No.	Description	Reqd. QTY	Serial No.	Parts catalogue code
			GX 390 UH1		
1	12200-Z7E-000	HEAD COMP., CYLINDER	1		
2	12204-ZE2-306	GUIDE, IN. VALVE (O.S.)	1		
3	12205-ZE2-305	GUIDE, EX. VALVE (O.S.)	1		
4	12216-ZE2-300	CLIP, VALVE GUIDE	1		
5	12251-ZF6-W00	GASKET, CYLINDER HEAD	1		
6	12310-ZE2-020	COVER COMP., HEAD	1	-----	QAA2,QTT,VPX5
	12310-ZE3-791	COVER COMP., HEAD (BREATHER TUBE JOINT)	1	-----	QXC9
7	12315-ZE3-840	TUBE, BREATHER	1	-----	QXC9
	95005-11105-30	TUBE, 11X105(95005-11001-30M)	1	-----	QAA2,QTT
8	12391-ZE2-020	PACKING, HEAD COVER	1		
9	15721-ZB4-000	TUBE, BREATHER	1	-----	VPX5
10	17316-611-000	CLIP, BREATHER TUBE	2	-----	QXC9
11	90014-ZE2-000	BOLT, HEAD COVER	1		
12	90042-ZE3-700	BOLT, STUD, 8X106	2	-----	VPX5
	90042-ZE8-000	BOLT, STUD, 8X131.5	2	-----	QAA2,QTT,QXC9
13	90441-ZE2-010	WASHER COMP., HEAD COVER	1		
14	92900-08032-0E	BOLT, STUD, 8X32	2		
15	94301-12200	DOWEL PIN, 12X20	2		
16	95701-10080-00	BOLT, FLANGE, 10X80	4	-----	QTT
	95725-10080-00	4	-----	QAA2,QXC9,VPX5
17	98079-55846	PLUG, SPARK (BPR5ES) (NGK)	(1)	-----	QAA2,QXC9,VPX5
	98079-55855	PLUG, SPARK (W16EPR-U) (DENSO)	(1)	-----	QAA2,QXC9,VPX5
	98079-55876	PLUG, SPARK (BPR5ES)	(1)	-----	QTT
	98079-56846	PLUG, SPARK (BPR6ES) (NGK)	1	-----	QAA2,QXC9,VPX5
	98079-56855	PLUG, SPARK (W20EPR-U) (DENSO)	1	-----	QAA2,VPX5
	98079-56876	PLUG, SPARK (BPR6ES)	1	-----	QTT



Ref. No.	L.O.N.	(Relative ref. Number) Description	F.R.T.
1	1101A0	BARREL, CYLINDER	1.8
2	1161B4	SHAFT, GOVERNOR ARM	0.9
3	6151A0	ALERT UNIT, ENGINE OIL	0.1
4		(10)	
	6151E8	SWITCH, OIL LEVEL	0.5
8	1101E4	OIL SEAL, CRANKSHAFT :FRONT ..	1.2
9	1101C4	OIL SEAL, GOVERNOR ARM SHAFT ..	0.9
12	1101D5	WASHER, DRAIN PLUG	0.1
15	1101F4	BEARING, BALANCER WEIGHT :FRONT	0.5

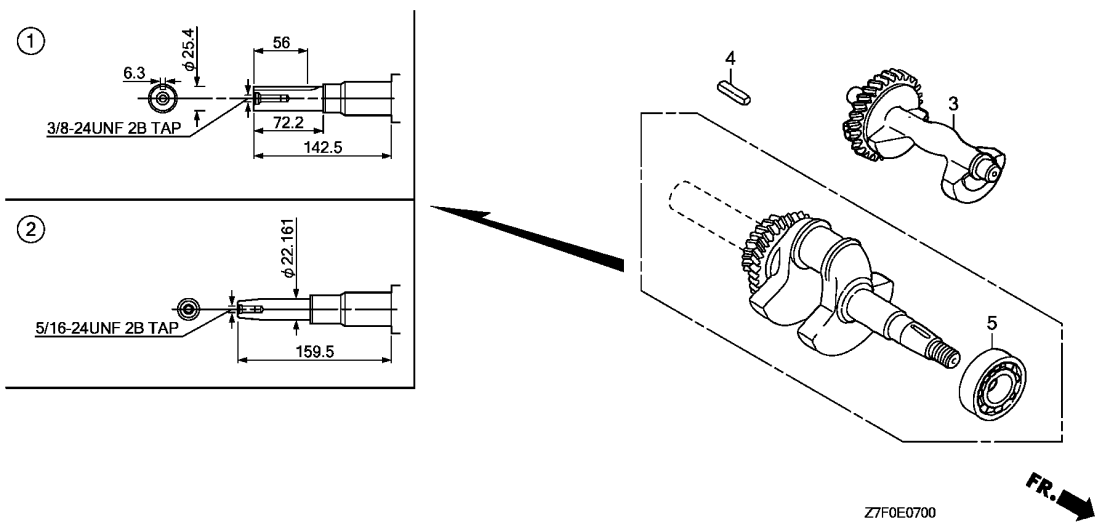
Ref. No.	Part No.	Description	Reqd. QTY	Serial No.	Parts catalogue code
			GX 390 UH1		
1	12000-Z7E-810	BARREL ASSY., CYLINDER	1		
2	16541-Z7E-000	SHAFT, GOVERNOR ARM	1		
3	34150-ZH7-013	ALERT UNIT, OIL	1		
4	35480-ZF6-003	SWITCH ASSY., OIL LEVEL	1	----- QTT	
	35480-Z7E-003	1	----- QAA2,QXC9,VPX5	
5	90013-883-000	BOLT, FLANGE, 6X12(CT200) ...	1		
6	90131-883-000	BOLT, DRAIN PLUG, 12X15	2		
7	90446-Z7E-000	WASHER, 8.2X17X0.8	1		
8	91201-Z7E-003	OIL SEAL, 35X52X8	1		
9	91203-Z7E-003	OIL SEAL, 8X14X5	1		
10	91353-Z7E-003	O-RING, 14MM	1	----- QAA2,QXC9,VPX5	
	91353-671-004	O-RING, 14MM(NOK)	1	----- QTT	
11	94050-10000	NUT, FLANGE, 10MM	1		
12	94109-12000	WASHER, DRAIN PLUG, 12MM	2		
13	94251-10000	PIN, LOCK, 10MM	1		
14	95701-06012-00	BOLT, FLANGE, 6X12	2		
15	96100-62020-00	BEARING, RADIAL BALL, 6202 ..	1		





Ref. No.	L.O.N.	(Relative ref. Number) Description	F.R.T.
1	1101F1	COVER, CRANKCASE	0.2
2	1101E9	PACKING, CRANKCASE COVER	0.2
7	1161C4	GOVERNOR ASSEMBLY	0.3
9		(8,10)	
11	1161A7	HOLDER, GOVERNOR WEIGHT	0.3
		(12)	
	1161B6	SLIDER, GOVERNOR	0.3
14	1101E5	OIL SEAL, CRANKSHAFT :REAR	0.3
17	1101F5	BEARING, BALANCER WEIGHT :REAR	0.4
18	1101A6	BEARING, CRANKSHAFT :REAR	0.4

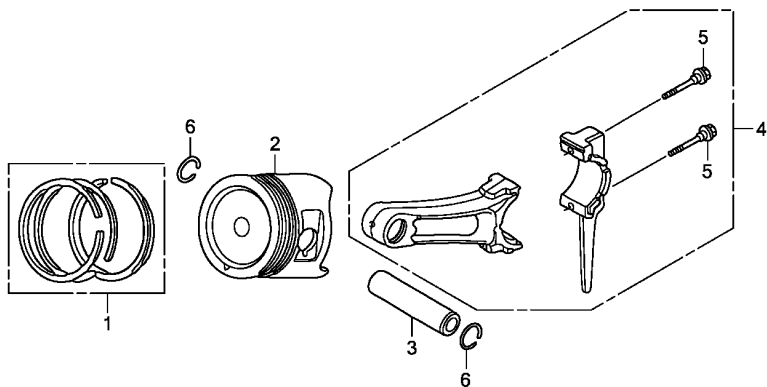
Ref. No.	Part No.	Description	Reqd. QTY	Serial No.	Parts catalogue code
			GX 390 UH1		
1	11300-Z7E-800	COVER ASSY., CRANKCASE	1		
2	11381-ZE3-801	PACKING, CASE COVER	1		
3	15600-Z1T-600	CAP ASSY., OIL FILLER	1		
4	15600-Z7E-000	CAP ASSY., OIL FILLER	1		
5	15625-Z0T-800	PACKING, OIL FILLER CAP	1		
6	15625-Z1T-000	PACKING, OIL FILLER CAP	1		
7	16510-Z7E-000	GOVERNOR ASSY.	1		
8	16511-ZE8-000	WEIGHT, GOVERNOR	3		
9	16512-Z7E-000	HOLDER, GOVERNOR WEIGHT	1		
10	16513-ZE2-000	PIN, GOVERNOR WEIGHT	3		
11	16531-Z0A-000	SLIDER, GOVERNOR	1		
12	90602-ZE1-000	CLIP, GOVERNOR HOLDER	1		
13	90701-Z7E-000	DOWEL PIN, 8X12	2		
14	91201-Z7E-003	OIL SEAL, 35X52X8	1		
15	94101-06800	WASHER, PLAIN, 6MM	1		
16	95701-08040-00	BOLT, FLANGE, 8X40	7		
17	96100-62020-00	BEARING, RADIAL BALL, 6202 ..	1		
18	96100-62070-00	BEARING, RADIAL BALL, 6207 ..	1		



Ref. No.	L.O.N.	(Relative ref. Number) Description	F.R.T.
1		(2) CRANKSHAFT	1.1
3		WEIGHT, BALANCER	0.4
5		BEARING, CRANKSHAFT :FRONT ...	1.3

Ref. No.	Part No.	Description	Reqd. QTY	Serial No.	Parts catalogue code
			GX 390 UH1		
1	13310-Z7E-800	CRANKSHAFT COMP.	1	-----	QAA2,QTT,QXC9
2	13310-Z7E-810	CRANKSHAFT COMP.	1	-----	VPX5
3	13351-Z7E-000	WEIGHT, BALANCER	1	-----	
4	90745-ZE2-600	KEY, 6.3X6.3X43	1	-----	QAA2,QTT,QXC9
5	91001-ZF6-013	BEARING, RADIAL BALL, 6207SH	1		



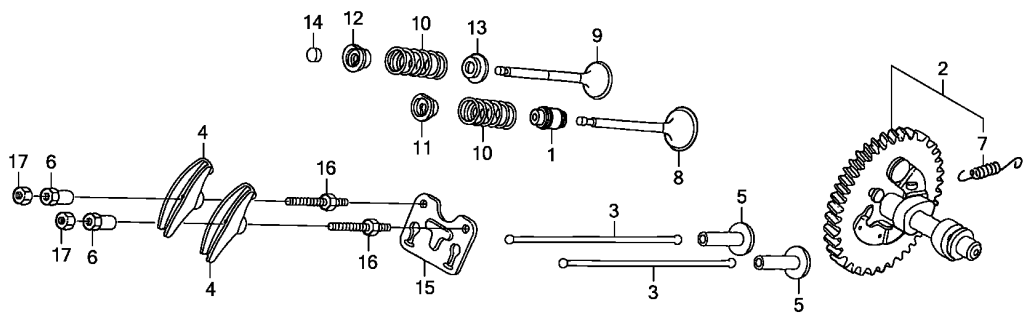


Z7F0E0800



Ref. No.	L.O.N.	(Relative ref. Number) Description	F.R.T.
2	1111R1	(1,3,4) PISTON AND/OR RING SET AND/OR BEARING AND/OR ROD INCLUDES: Inspection/ Measurement/Cleaning	1.2

Ref. No.	Part No.	Description	Reqd. QTY	Serial No.	Parts catalogue code
			GX 390 UH1		
1	13010-ZF6-005	RING SET, PISTON (STD.)	1		
		(TEIKOKU)			
	13010-Z5T-003	RING SET, PISTON (STD.) (RIKEN)	1		
	13011-ZF6-005	RING SET, PISTON (0.25)			
		(TEIKOKU)	(1)		
	13011-Z5T-003	RING SET, PISTON (0.25) (RIKEN)	(1)		
	13012-ZF6-005	RING SET, PISTON (0.50)			
		(TEIKOKU)	(1)		
	13012-Z5T-003	RING SET, PISTON (0.50) (RIKEN)	(1)		
	13013-ZF6-005	RING SET, PISTON (0.75)			
		(TEIKOKU)	(1)		
	13013-Z5T-003	RING SET, PISTON (0.75) (RIKEN)	(1)		
2	13101-Z5T-000	PISTON (STD.)	1		
	13102-Z5T-000	PISTON (0.25)	(1)		
	13103-Z5T-000	PISTON (0.50)	(1)		
	13104-Z5T-000	PISTON (0.75)	(1)		
3	13111-Z7E-000	PIN, PISTON	1		
4	13200-ZE3-020	ROD ASSY., CONNECTING (STD.)	1	-----	QAA2,VPX5
	13200-ZE3-315	ROD ASSY., CONNECTING			
		(0.25 UNDER SIZE)	(1)	-----	QAA2,QXC9,VPX5
	13200-Z1C-000	ROD ASSY., CONNECTING (STD.)	1	-----	QTT,QXC9
	13200-Z1C-305	ROD ASSY., CONNECTING			
		(0.25 UNDER SIZE)	(1)	-----	QTT
5	90001-ZE8-000	BOLT, CONNECTING ROD	2		
6	90601-ZE3-000	CLIP, PISTON PIN, 20MM	2		



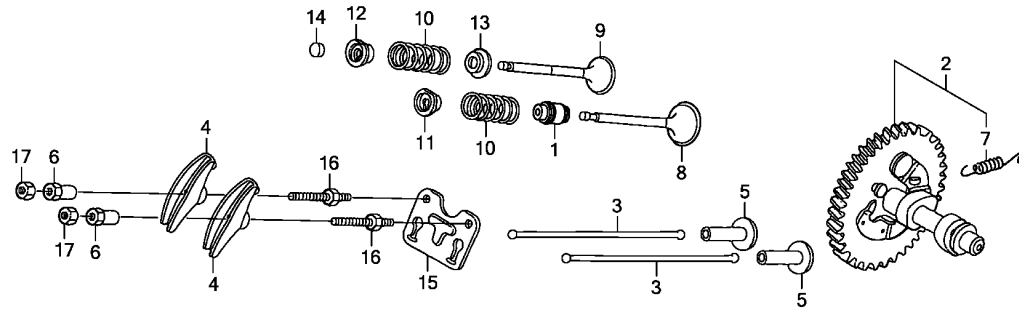
Z7F0E0900



Ref. No.	L.O.N.	(Relative ref. Number) Description	F.R.T.
1	1111K2	SEAL, INTAKE VALVE STEM	0.6
2	1111C2	CAMSHAFT	0.4
		.INCLUDES: Valve clearance adjustment	
3	1111L6	ROD, PUSH :INTAKE	0.2
		.INCLUDES: Valve clearance adjustment	
	1111L6A	.Replace exhaust push rod add	0.1
	1111L7	ROD, PUSH :EXHAUST	0.2
		.INCLUDES: Valve clearance adjustment	
	1111L7A	.Replace intake push rod add	0.1
4	1111A2	ARM, ROCKER :INTAKE	0.2
		.INCLUDES: Valve clearance adjustment	
	1111A2A	.Replace exhaust rocker arm add	0.1
	1111A1	ARM, ROCKER :EXHAUST	0.2
		.INCLUDES: Valve clearance adjustment	
	1111A1A	.Replace intake rocker arm add	0.1
5	1111L9	LIFTER, VALVE :INTAKE	0.4
		.INCLUDES: Valve clearance adjustment	
		.NOTE: Same time for two units	

Ref. No.	Part No.	Description	Reqd. QTY		Serial No.	Parts catalogue code
			GX	UH1		
1	12209-Z7E-003	SEAL, VALVE STEM	1			
2	14100-ZF6-W01	CAMSHAFT ASSY.	1			
3	14410-Z7E-000	ROD, PUSH	2			
4	14431-ZE2-010	ARM, VALVE ROCKER	2			
5	14441-Z7E-000	LIFTER, VALVE	2			
6	14451-Z7E-000	PIVOT, ROCKER ARM	2			
7	14568-ZE1-000	SPRING, WEIGHT RETURN	1			
8	14711-Z7E-000	VALVE, IN.	1			
9	14721-Z7E-000	VALVE, EX.	1			
10	14751-Z7E-000	SPRING, VALVE	2			
11	14771-ZE2-000	RETAINER, IN. VALVE SPRING ..	1			
12	14773-ZE2-000	RETAINER, EX. VALVE SPRING ..	1			
13	14775-ZE2-010	SEAT, VALVE SPRING	1			
14	14781-Z7E-000	ROTATOR, VALVE	1			
15	14791-Z7E-000	GUIDE, PUSH ROD	1			
16	90012-ZE0-010	BOLT, PIVOT, 8MM	2			
17	90206-ZE1-000	NUT, PIVOT ADJUSTING	2			





Z7F0E0900

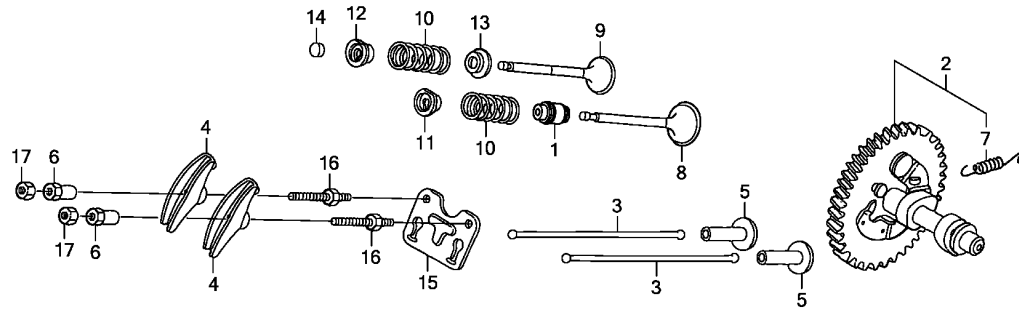


Ref. No.	L.O.N.	(Relative ref. Number) Description	F.R.T.
+ 5	1111M0	LIFTER, VALVE :EXHAUSTINCLUDES: Valve clearance adjustment .NOTE: Same time for two units	0.4
8	1111L1	VALVE, INTAKEINCLUDES: Valve clearance adjustment and reface	0.7
	1111L1E	.Replace intake and exhaust all add	0.1
9	1111L0	VALVE, EXHAUSTINCLUDES: Valve clearance adjustment and reface	0.7
	1111L0E	.Replace intake and exhaust all add	0.1
10	1111P3	SPRING, VALVE :INTAKEINCLUDES: Valve clearance adjustment	0.6
	1111P3A	.Replace intake and exhaust all add	0.1
	1111P4	SPRING, VALVE :EXHAUSTINCLUDES: Valve clearance adjustment	0.6
	1111P4A	.Replace intake and exhaust all add	0.1
+14	1111J7	ROTATOR, VALVE	0.2

E-9

CAMSHAFT

C 8



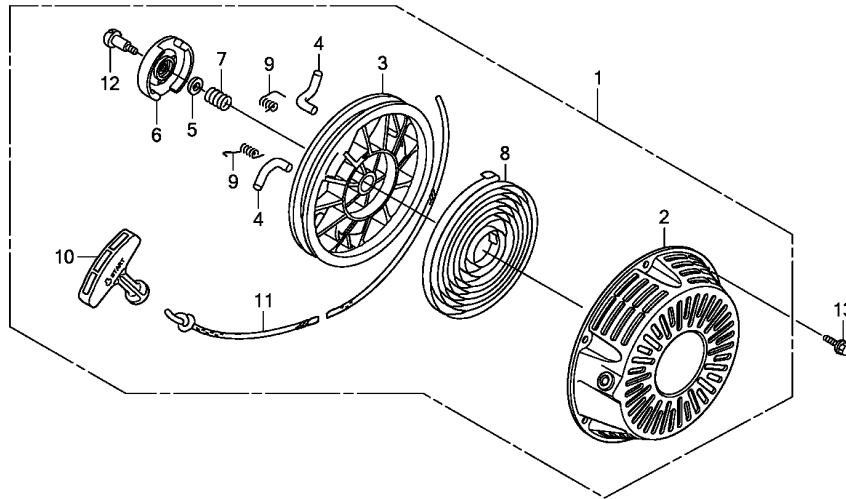
Z7F0E0900



Ref. No.	L.O.N.	(Relative ref. Number) Description	F.R.T.
----------	--------	------------------------------------	--------

+14 .INCLUDES: Valve clearance adjustment

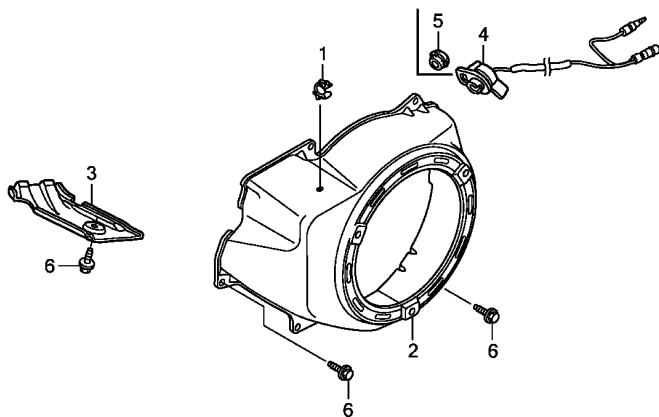
2



Z7F0E1100

Ref. No.	L.O.N.	(Relative ref. Number) Description	F.R.T.
1	1121B9	STARTER, RECOIL	0.1
3	1121B1	REEL, RECOIL STARTER	0.3
4		(9)	
	1121B0	RATCHET, STARTER AND/OR SPRING, RATCHET	0.2
		.NOTE: Same time for two units (7)	
6	1121A4	GUIDE, RATCHET	0.2
8	1121B7	SPRING, RECOIL STARTER RETURN	0.3
10	1121A3	GRIP, RECOIL STARTER	0.1
11	1121B3	ROPE, RECOIL STARTER	0.3

Ref. No.	Part No.	Description	Reqd. QTY	Serial No.	Parts catalogue code
			GX 390 UH1		
1	28400-Z7E-003ZA	STARTER ASSY., RECOIL	1		
		NH1.....BLACK	1	-----	QAA2,QTT,QXC9
	28400-Z7E-003ZB	*R280*.....POWER RED	1	-----	QAA2,QXC9,VPX5
2	28410-Z7E-003ZA	CASE COMP., RECOIL STARTER	1		
		NH1.....BLACK	1	-----	QAA2,QTT,QXC9
	28410-Z7E-003ZB	*R280*.....POWER RED	1	-----	QAA2,QXC9,VPX5
3	28420-Z7E-003	REEL, RECOIL STARTER	1		
4	28422-ZH8-801	RATCHET, STARTER	2		
5	28431-ZH8-801	PLATE, FRICTION	1		
6	28433-Z2E-003	GUIDE, RATCHET	1		
7	28441-Z2E-003	SPRING, FRICTION	1		
8	28442-Z7E-003	SPRING, RECOIL STARTER	1		
9	28443-ZH8-801	SPRING, RETURN	2		
10	28461-Z2E-003	KNOB, RECOIL STARTER	1		
11	28462-Z2E-003	ROPE, RECOIL STARTER	1		
12	90003-ZH8-801	SCREW, SETTING	1		
13	90008-ZE2-003	BOLT, FLANGE, 6X10	3		



Z7F0E1200



Ref. No.	L.O.N.	(Relative ref. Number) Description	F.R.T.
2	1141G8	COVER, ENGINE COOLING FAN	0.2
4	6151D9	SWITCH, ENGINE STOP	0.1

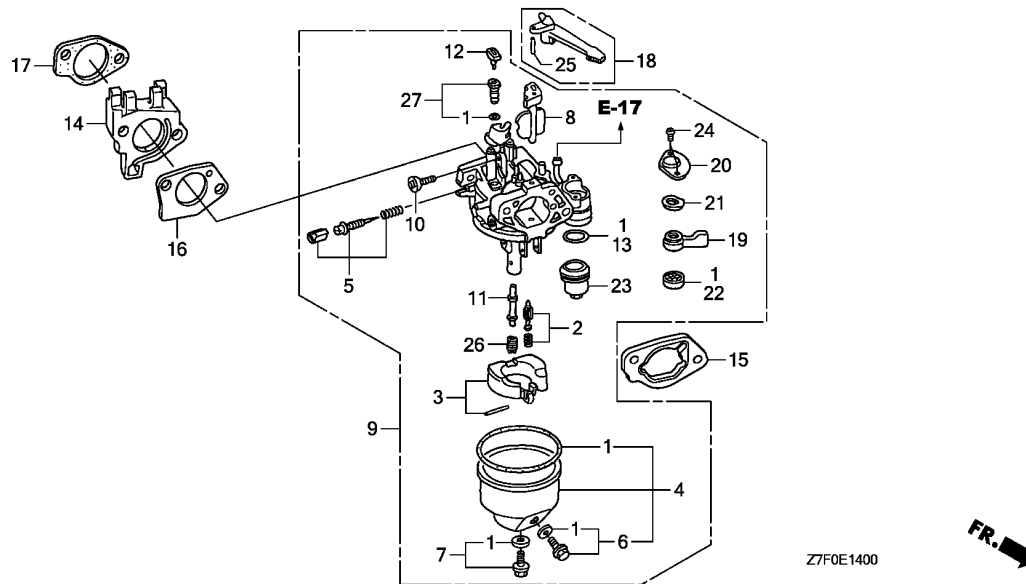
Ref. No.	Part No.	Description	Reqd. QTY		Serial No.	Parts catalogue code
			GX 390 UH1			
1	16731-Z7E-000	CLIP, TUBE	1			
2	19610-Z7E-000ZA	COVER COMP., FAN				
		NH1.....BLACK	1	-----	-----	QAA2,QTT,QXC9
	19610-Z7E-000ZB	*R280*.....POWER RED	1	-----	-----	QAA2,QXC9
	19610-Z7E-810ZA	*R280*.....POWER RED	1	-----	-----	VPX5
3	19631-ZE3-W00	SHROUD	1			
4	36100-ZF6-P82	SWITCH ASSY., ENGINE STOP ...	1	-----	-----	QAA2,QTT,QXC9
5	81329-567-020	GROMMET, DRAIN HOLE	1	-----	-----	QTT,VPX5
6	90013-883-000	BOLT, FLANGE, 6X12(CT200) ...	6			



E-14

CARBURETOR(1)

C11



Ref. No.	L.O.N.	(Relative ref. Number) Description	F.R.T.
1	3111B1	GASKET SET, CARBURETOR (3)	0.3
2	3111E1	VALVE SET, FLOAT AND/OR FLOAT SET	0.3
4	3111A3	CHAMBER SET, FLOAT AND/OR GASKET, FLOAT CHAMBER	0.3
5	3111D7	SCREW SET, PILOT	0.2
9	3111F3	CARBURETOR (23)	0.2
13	3101L6	PACKING, FUEL STRAINER CUP (17)	0.2
14	3111C0	INSULATOR, CARBURETOR AND/OR PACKING, INSULATOR	0.2
15	3111D9	SPACER, CARBURETOR	0.2
16	3111C8	PACKING, CARBURETOR	0.2
18	8101F9	LEVER, CARBURETOR CHOKE (19,20,21)	0.2
22	3101C5	PACKING, FUEL COCK	0.2
26	3111C3	JET, MAIN	0.3

2

Z7F0E1400

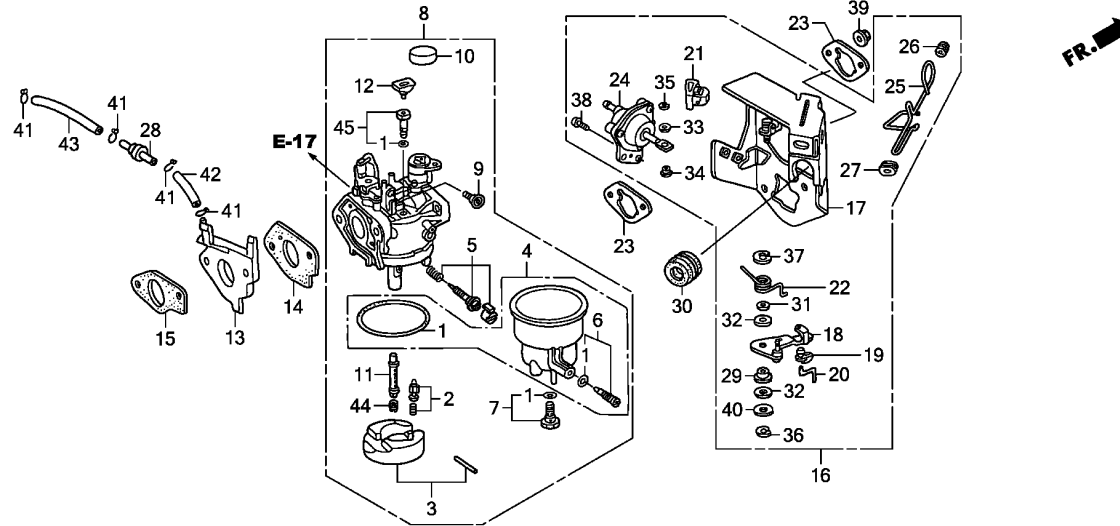


Ref. No.	Part No.	Description	Reqd. QTY	Serial No.	Parts catalogue code
			GX 390 UH1		
1	16010-ZE2-812	GASKET SET (INCLUDE 16173-001-004)	1	-----	QAA2,QTT,QXC9
2	16011-ZA0-931	VALVE SET, FLOAT	1	-----	QAA2,QTT,QXC9
3	16013-Z1C-003	FLOAT SET	1	-----	QAA2,QTT,QXC9
4	16015-ZE8-005	CHAMBER SET, FLOAT	1	-----	QAA2,QTT,QXC9
5	16016-ZH7-W01	SCREW SET, PILOT	1	-----	QAA2,QTT,QXC9
6	16024-ZE1-811	SCREW SET, DRAIN	1	-----	QAA2,QTT,QXC9
7	16028-ZE0-005	SCREW SET	1	-----	QAA2,QTT,QXC9
8	16044-ZE3-W20	CHOKE SET	1	-----	QAA2,QTT,QXC9
9	16100-Z7E-801	CARBURETOR ASSY. (BE85T A)	1	-----	QAA2,QTT
	16100-Z7F-801	CARBURETOR ASSY. (BE85V A)	1	-----	QXC9
10	16124-ZE0-005	SCREW, THROTTLE STOP	1	-----	QAA2,QTT,QXC9
11	16166-ZF6-V00	NOZZLE, MAIN	1	-----	QAA2,QTT
	16166-ZF6-W10		1	-----	QXC9
12	16172-ZE3-W10	COLLAR, SETTING	1	-----	QAA2,QTT,QXC9
13	16173-001-004	PACKING, FUEL STRAINER CUP	1	-----	QAA2,QTT,QXC9
14	16211-Z7E-000	INSULATOR, CARBURETOR	1	-----	QAA2,QTT,QXC9
15	16220-ZA0-702	SPACER COMP., CARBURETOR	1	-----	QAA2,QTT,QXC9
16	16221-ZF6-800	PACKING, CARBURETOR	1	-----	QAA2,QTT,QXC9
17	16223-ZE3-W00	PACKING, INSULATOR	1	-----	QAA2,QTT,QXC9
18	16610-ZE1-000	LEVER COMP., CHOKE (STD.)	1	-----	QAA2,QTT,QXC9
19	16953-ZE1-812	LEVER, COCK	1	-----	QAA2,QTT,QXC9
20	16954-ZE1-812	PLATE, LEVER SETTING	1	-----	QAA2,QTT,QXC9
21	16956-ZE1-811	SPRING, COCK LEVER	1	-----	QAA2,QTT,QXC9
22	16957-ZE1-812	PACKING, FUEL COCK	1	-----	QAA2,QTT,QXC9

E-14-1

CARBURETOR(2)

C13



Z7F0E1401

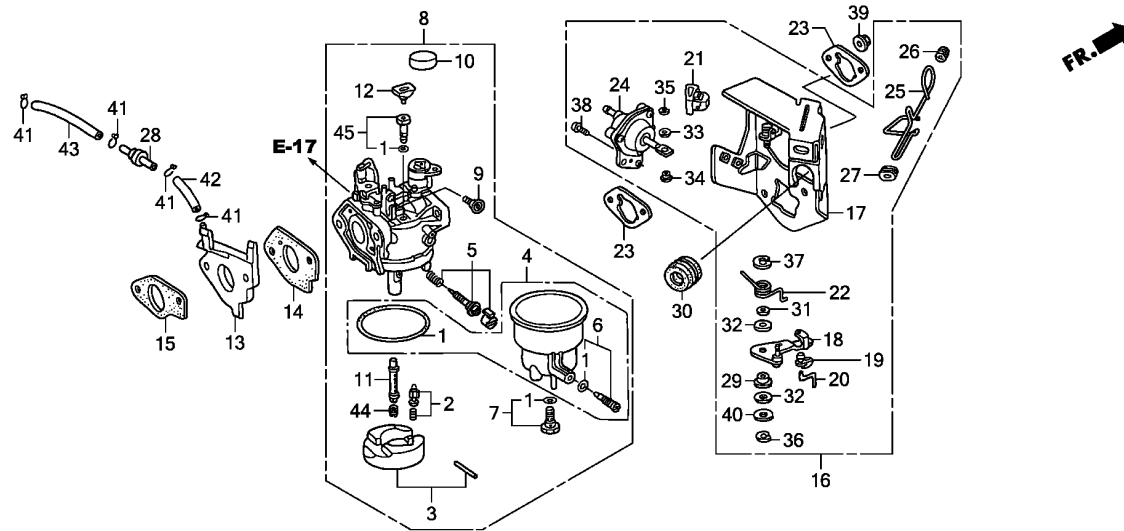
Ref. No.	L.O.N.	(Relative ref. Number) Description	F.R.T.
1	3111G1	GASKET SET, CARBURETOR(A) (3)	0.4
2	3111G6	VALVE SET, FLOAT AND/OR FLOAT SET(A)	0.4
4	3111M2	CHAMBER SET, FLOAT AND/OR GASKET, FLOAT CHAMBER(A)	0.4
5	3111D7	SCREW SET, PILOT	0.2
8	3111G7	CARBURETOR(A)	0.3
13	3111G2	INSULATOR, CARBURETOR AND/OR PACKING, INSULATOR(A)	0.3
14	3111G5	PACKING, CARBURETOR(A)	0.3
16	8101R1	STAY, MANUAL CHOKE	0.3
23	3121D9	PACKING, AIR CLEANER	0.2
	3121D9A	.Replace carburetor side add	0.1
24	3111A7	DIAPHRAGM, CARBURETOR	0.3
25	8101Q2	ROD, CHOKE CONTROL	0.2
28	311175	VALVE, DASHPOT CHECK	0.1
44	3111G4	JET, MAIN(A)	0.4

Ref. No.	Part No.	Description	Reqd. QTY		Serial No.	Parts catalogue code
			GX 390 UH1			
1	16010-ZA0-921	GASKET SET	1	-----	-----	VPX5
2	16011-ZA0-931	VALVE SET, FLOAT	1	-----	-----	VPX5
3	16013-Z1C-003	FLOAT SET	1	-----	-----	VPX5
4	16015-ZA0-931	CHAMBER SET, FLOAT	1	-----	-----	VPX5
5	16016-ZH8-W01	SCREW SET	1	-----	-----	VPX5
6	16024-124-760	SCREW SET, DRAIN	1	-----	-----	VPX5
7	16028-ZA0-701	SCREW SET	1	-----	-----	VPX5
8	16100-Z7F-811	CARBURETOR ASSY. (BE89L A) ..	1	-----	-----	VPX5
9	16124-ZE0-005	SCREW, THROTTLE STOP	1	-----	-----	VPX5
10	16148-141-881	CAP, CHOKE DUST	1	-----	-----	VPX5
11	16166-ZF6-005	NOZZLE, MAIN	1	-----	-----	VPX5
12	16172-ZE3-W10	COLLAR, SETTING	1	-----	-----	VPX5
13	16211-Z7E-700	INSULATOR, CARBURETOR	1	-----	-----	VPX5
14	16221-ZF6-800	PACKING, CARBURETOR	1	-----	-----	VPX5
15	16223-ZE3-W00	PACKING, INSULATOR	1	-----	-----	VPX5
16	16260-Z7E-000	STAY ASSY., MANUAL CHOKE	1	-----	-----	VPX5
17	16261-ZE2-702	STAY COMP., SOLENOID	1	-----	-----	VPX5
18	16262-ZE2-711	LEVER, CHOKE	1	-----	-----	VPX5
19	16263-Z7B-000	JOINT, ROD	1	-----	-----	VPX5
20	16264-ZE2-701	ROD, CHOKE	1	-----	-----	VPX5
21	16265-Z7E-000	STOPPER, CHOKE ROD	1	-----	-----	VPX5
22	16268-ZE2-721	SPRING, MANUAL CHOKE	1	-----	-----	VPX5
23	16269-ZA0-800	PACKING, AIR CLEANER	2	-----	-----	VPX5
24	16400-ZE2-704	DIAPHRAGM ASSY.	1	-----	-----	VPX5
25	16611-ZE3-D21	ROD, CHOKE CONTROL	1	-----	-----	VPX5

E-14-1

CARBURETOR(2)

C14



Z7F0E1401

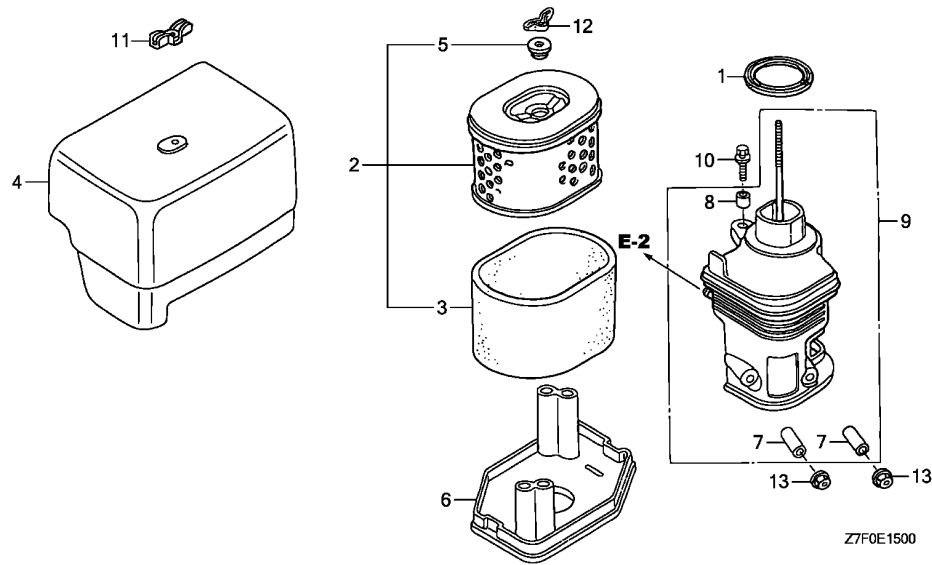
Ref. No.	Part No.	Description	Reqd. QTY		Serial No.	Parts catalogue code
			GX 390 UH1			
26	16613-893-000	GROMMET, CHOKE ROD	1	-----	-----	VPX5
27	16615-893-000	GUIDE, CHOKE ROD	1	-----	-----	VPX5
28	36135-ZF6-D41	VALVE, DASHPOT CHECK	1	-----	-----	VPX5
29	53149-964-003	BUSH, ARM PIVOT	1	-----	-----	VPX5
30	88911-MJ3-000	GROMMET, FENDER	1	-----	-----	VPX5
31	90431-ZE2-700	WASHER, CHOKE LEVER	1	-----	-----	VPX5
32	90432-ZE2-700	SEAL, CHOKE LEVER	2	-----	-----	VPX5
33	90433-ZE2-700	WASHER, THRUST, 2.7X8	1	-----	-----	VPX5
34	90434-ZE2-700	COLLAR, LEVER	1	-----	-----	VPX5
35	90601-Z7E-000	E-RING, 2MM	1	-----	-----	VPX5
36	90602-Z7E-000	E-RING, 4MM	1	-----	-----	VPX5
37	90603-Z7E-000	E-RING, 7MM	1	-----	-----	VPX5
38	93500-05012-0A	SCREW, PAN, 5X12	2	-----	-----	VPX5
39	94050-06000	NUT, FLANGE, 6MM	2	-----	-----	VPX5
40	94103-05000	WASHER, PLAIN, 5MM	1	-----	-----	VPX5
41	95002-02070	CLIP, TUBE (B7)	4	-----	-----	VPX5
42	95005-35075-10	TUBE, 3.5X75(95005-35001-10M)	1	-----	-----	VPX5
43	95005-35130-10	TUBE, 3.5X130(95005-35001-10M)	1	-----	-----	VPX5
44	99101-ZH8-1020	JET, MAIN, #102	(1)	-----	-----	VPX5
	99101-ZH8-1050	JET, MAIN, #105	(1)	-----	-----	VPX5
	99101-ZH8-1080	JET, MAIN, #108	1	-----	-----	VPX5
45	99204-ZA0-0450	JET SET, PILOT, #45	1	-----	-----	VPX5

2

E-15

AIR CLEANER(1)

C15



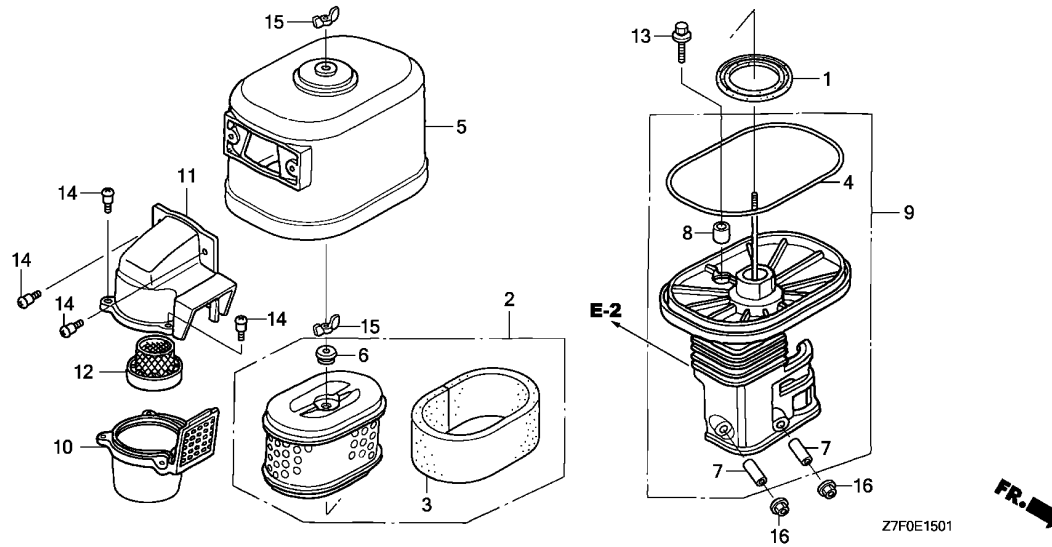
Ref. No.	L.O.N.	(Relative ref. Number) Description	F.R.T.
1	3121E1	PACKING, ELBOW	0.1
2	3121B8	ELEMENT, AIR CLEANER	0.1
3	3121C1	FILTER, OUTER	0.1
6	3121D6	NOSE, SILENCER	0.1
9	3121B4	ELBOW, AIR CLEANER	0.1

Ref. No.	Part No.	Description	Reqd. QTY		Serial No.	Parts catalogue code
			GX	UH1		
1	16271-ZE2-010	PACKING, ELBOW	1	-----	-----	QAA2,QTT
2	17210-ZE3-010	ELEMENT, AIR CLEANER	1	-----	-----	QAA2,QTT
3	17218-ZE3-000	FILTER, OUTER	1	-----	-----	QAA2,QTT
4	17231-ZE3-W01	COVER, AIR CLEANER	1	-----	-----	QAA2,QTT
5	17232-891-000	GROMMET, AIR CLEANER	1	-----	-----	QAA2,QTT
6	17235-ZH9-N01	NOSE, SILENCER	1	-----	-----	QAA2,QTT
7	17238-ZE2-310	COLLAR, AIR CLEANER	2	-----	-----	QAA2,QTT
8	17239-ZE1-000	COLLAR B, AIR CLEANER	1	-----	-----	QAA2,QTT
9	17410-ZH9-N00	ELBOW COMP., AIR CLEANER	1	-----	-----	QAA2,QTT
10	90009-ZE2-003	BOLT-WASHER, 6X22	1	-----	-----	QAA2,QTT
11	90203-ZA0-800	NUT, WING, 6MM(BLACK)	1	-----	-----	QAA2,QTT
12	90325-044-000	NUT, TOOL BOX SETTING	1	-----	-----	QAA2,QTT
13	94050-06000	NUT, FLANGE, 6MM	2	-----	-----	QAA2,QTT

E-15-1

AIR CLEANER(2)

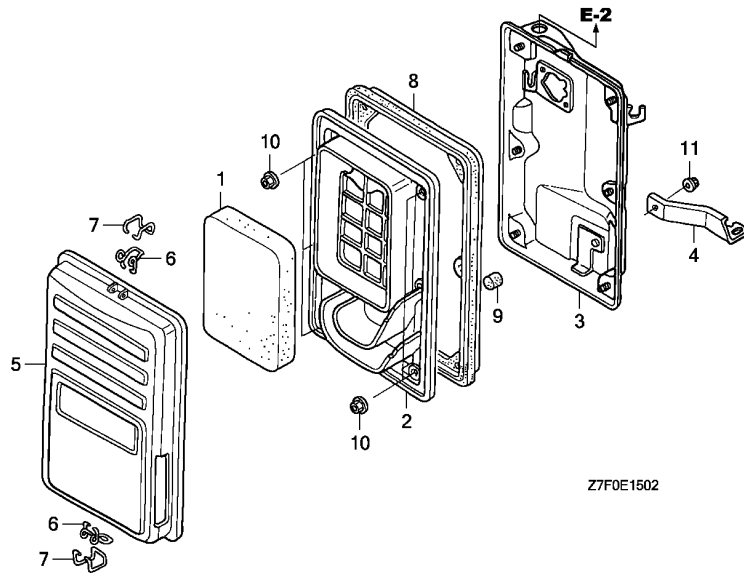
C16



Ref. No.	L.O.N.	(Relative ref. Number) Description	F.R.T.
2	3121B8	ELEMENT, AIR CLEANER	0.1
3	3121C1	FILTER, OUTER	0.1
4	3121E0	PACKING, AIR CLEANER COVER ...	0.1
9	3121B4	ELBOW, AIR CLEANER	0.1
10	3121A6	CASE, PRE AIR CLEANER	0.1
11	3121A4	CAP, PRE AIR CLEANER	0.1
12	3121C8	GUIDE, PRE AIR CLEANER	0.1

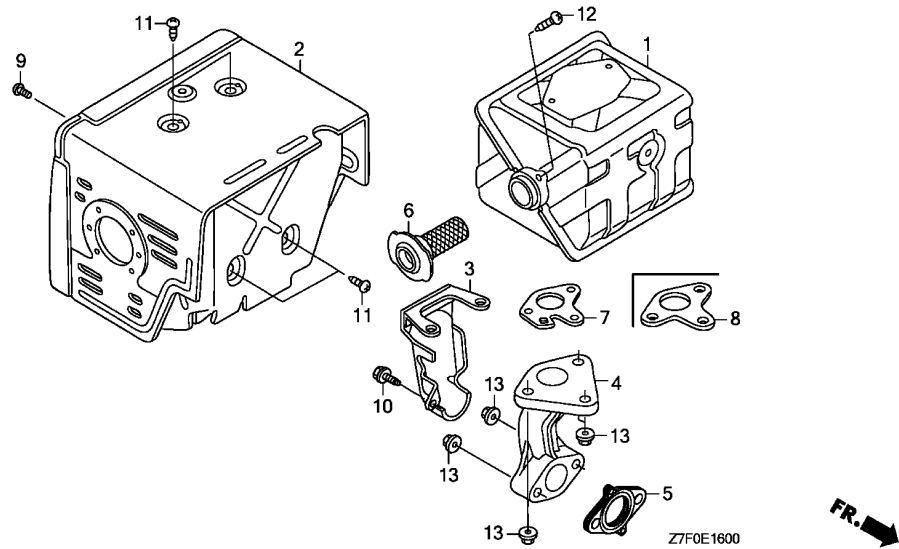
Ref. No.	Part No.	Description	Reqd. QTY		Serial No.	Parts catalogue code
			GX	UH1		
1	16271-ZE2-010	PACKING, ELBOW	1	-----	-----	QXC9
2	17210-ZE3-010	ELEMENT, AIR CLEANER	1	-----	-----	QXC9
3	17218-ZE3-000	FILTER, OUTER	1	-----	-----	QXC9
4	17219-ZE3-840	PACKING, AIR CLEANER COVER ..	1	-----	-----	QXC9
5	17230-ZE3-841	COVER COMP., AIR CLEANER (CYCLONE)	1	-----	-----	QXC9
6	17232-891-000	GROMMET, AIR CLEANER	1	-----	-----	QXC9
7	17238-ZE2-310	COLLAR, AIR CLEANER	2	-----	-----	QXC9
8	17239-ZE3-840	COLLAR B, AIR CLEANER	1	-----	-----	QXC9
9	17410-ZE3-840	ELBOW COMP., AIR CLEANER	1	-----	-----	QXC9
10	17470-ZE3-842	CASE COMP., PRE AIR CLEANER ..	1	-----	-----	QXC9
11	17475-ZE3-841	CAP, PRE AIR CLEANER	1	-----	-----	QXC9
12	17476-ZE3-841	GUIDE, PRE AIR CLEANER	1	-----	-----	QXC9
13	90009-ZE2-003	BOLT-WASHER, 6X22	1	-----	-----	QXC9
14	90142-MB0-000	SCREW, PAN, 5X16.5	5	-----	-----	QXC9
15	90325-044-000	NUT, TOOL BOX SETTING	2	-----	-----	QXC9
16	94050-06000	NUT, FLANGE, 6MM	2	-----	-----	QXC9

2



Ref. No.	L.O.N.	(Relative ref. Number) Description	F.R.T.
1	3121B8	ELEMENT, AIR CLEANER	0.1
2	3121F0	SEPARATOR, AIR CLEANER	0.1
3	3121A5	CASE, AIR CLEANER	0.2
5	3121B1	COVER, AIR CLEANER	0.1
8	3121E8	SEAL, AIR CLEANER CASE	0.1

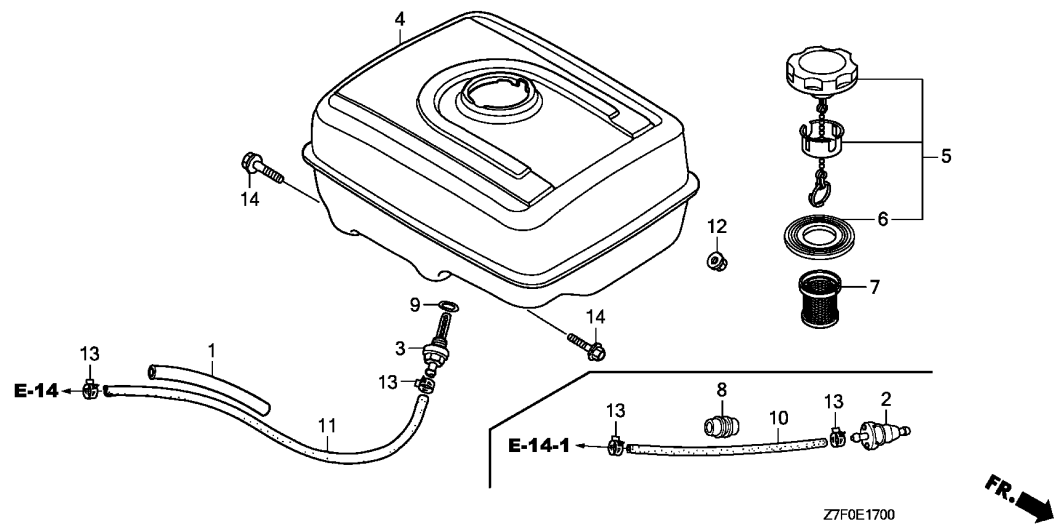
Ref. No.	Part No.	Description	Reqd. QTY		Serial No.	Parts catalogue code
			GX 390 UH1			
1	17211-899-000	ELEMENT, AIR CLEANER	1	-----	-----	VPX5
2	17212-ZB4-003	SEPARATOR, AIR CLEANER	1	-----	-----	VPX5
3	17220-ZB4-003	CASE COMP., AIR CLEANER	1	-----	-----	VPX5
4	17222-ZC2-000	STAY, AIR CLEANER	1	-----	-----	VPX5
5	17231-899-000	COVER COMP., AIR CLEANER	1	-----	-----	VPX5
6	17235-899-000	CLIP A, AIR CLEANER WIRE	2	-----	-----	VPX5
7	17236-899-000	CLIP B, AIR CLEANER WIRE	2	-----	-----	VPX5
8	17252-899-000	SEAL, AIR CLEANER	1	-----	-----	VPX5
9	17367-413-690	FILTER, DRAIN TUBE	1	-----	-----	VPX5
10	94050-05000	NUT, FLANGE, 5MM	6	-----	-----	VPX5
11	94050-06000	NUT, FLANGE, 6MM	1	-----	-----	VPX5



Ref. No.	L.O.N.	(Relative ref. Number) Description	F.R.T.
1	3131C5	MUFFLER, EXHAUST	0.2
2	3131D6	PROTECTOR, EXHAUST MUFFLER ...	0.2
4	3131C9	PIPE, EXHAUST	0.2
5	3131B5	GASKET, EXHAUST PIPE	0.2
6	3131A1	ARRESTER, SPARK	0.2
		.INCLUDES: Spark arrester check (8)	
7	3131B4	GASKET, EXHAUST MUFFLER	0.2

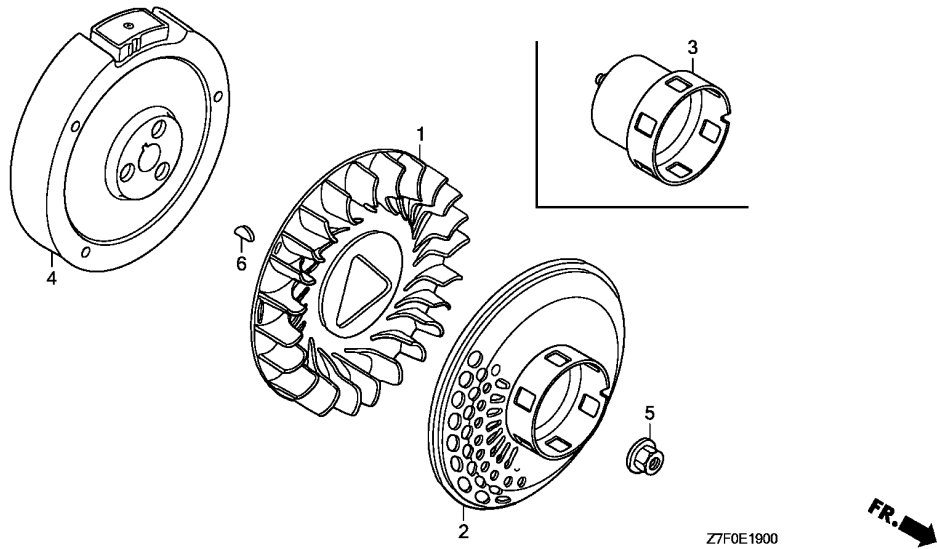
Ref. No.	Part No.	Description	Reqd. QTY		Serial No.	Parts catalogue code
			GX	UH1		
1	18310-ZE2-W61	MUFFLER COMP. (100DB)	1	-----	-----	QAA2,QTT,QXC9
2	18320-ZE2-W61	PROTECTOR COMP., MUFFLER	1	-----	-----	QAA2,QTT,QXC9
3	18323-ZE3-W40	PROTECTOR, EX. PIPE	1	-----	-----	QAA2,QTT
4	18330-ZE2-W00	PIPE, EX.	1	-----	-----	QAA2,QTT,QXC9
5	18333-ZF6-W01	GASKET, EX. PIPE	1	-----	-----	QAA2,QTT,QXC9
6	18355-ZE2-W00	ARRESTER, SPARK	1	-----	-----	QAA2,QTT
			(1)	-----	-----	QXC9
7	18381-ZE2-W10	GASKET, MUFFLER (ARRESTER) ..	1	-----	-----	QAA2,QTT
			(1)	-----	-----	QXC9
8	18381-ZE2-800	GASKET, MUFFLER	1	-----	-----	QXC9
	18381-Z1C-801	1	-----	-----	QXC9
9	90006-ZE2-000	SCREW, TAPPING, 6X10	1	-----	-----	QAA2,QTT,QXC9
10	90013-883-000	BOLT, FLANGE, 6X12(CT200) ...	1	-----	-----	QAA2,QTT
11	90050-ZE1-000	SCREW, TAPPING, 5X8	4	-----	-----	QAA2,QTT,QXC9
12	90050-ZE1-000	SCREW, TAPPING, 5X8	1	-----	-----	QAA2,QTT
	90055-ZE1-000	SCREW, TAPPING, 4X6	(1)	-----	-----	QAA2,QTT,QXC9
13	94050-08000	NUT, FLANGE, 8MM	5	-----	-----	QAA2,QTT,QXC9





Ref. No.	L.O.N.	(Relative ref. Number) Description	F.R.T.
2	3101H8	STRAINER, FUEL	0.1
3		(9)	
	3101H6	JOINT, FUEL STRAINER	0.2
4	3101H7	TANK, FUEL	0.2
7	3101A6	FILTER, FUEL	0.1
10	3101G0	TUBE, FUEL STRAINER	0.1
11	3101F1	TUBE, FUEL TANK	0.2

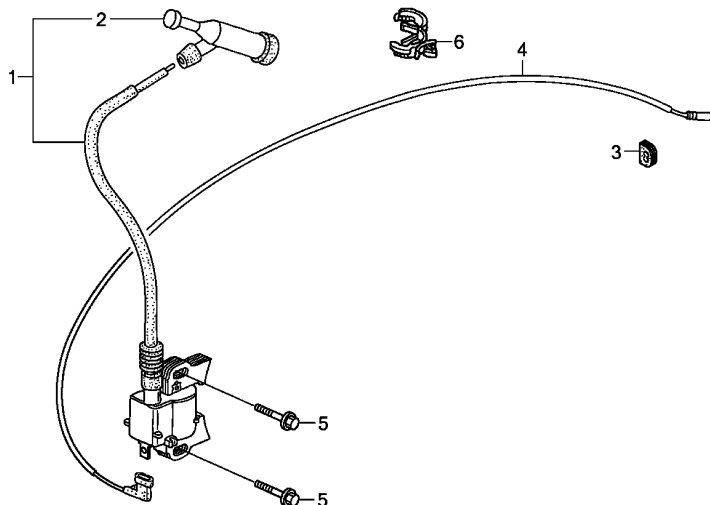
Ref. No.	Part No.	Description	Reqd. QTY		Serial No.	Parts catalogue code
			GX	UH1		
1	16854-ZH8-000	RUBBER, SUPPORTER (107MM) ...	1		-----	QAA2,QTT,QXC9
2	16910-GB2-005	STRAINER COMP., FUEL	1		-----	VPX5
3	16955-ZE1-000	JOINT, FUEL TANK	1		-----	QAA2,QXC9
4	17510-ZE3-801ZA	TANK COMP., FUEL	1		-----	QAA2,QXC9
		NH1.....BLACK	1		-----	QAA2,QXC9
	17510-ZE3-801ZC	*NH31*.....MCKINLEY WHITE	1		-----	QAA2,QXC9
5	17620-Z4H-010	CAP COMP., FUEL FILLER	1		-----	QAA2,QXC9
6	17631-Z4H-800	PACKING, FUEL FILLER CAP (39X62X3)	1		-----	QAA2,QXC9
7	17672-Z4H-000	FILTER, FUEL	1		-----	QAA2,QXC9
8	90854-ZB3-000	RUBBER, FUEL (9X15X20)	1		-----	VPX5
9	91353-671-004	O-RING, 14MM(NOK)	1		-----	QAA2,QXC9
10	91424-Z4K-801	TUBE, FUEL, 4.5X180(FKM)	1		-----	VPX5
11	91424-Z5L-801	TUBE, FUEL, 4.5X235(FKM)	1		-----	QAA2,QXC9
	91424-Z5R-801	TUBE, FUEL, 4.5X260(FKM)	1		-----	QTT
12	94050-08000	NUT, FLANGE, 8MM	2		-----	QAA2,QXC9
13	95002-40800-08	CLAMP, TUBE (D8)	2		-----	QAA2,QXC9
14	95701-08025-00	BOLT, FLANGE, 8X25	2		-----	QAA2,QXC9



Ref. No.	L.O.N.	(Relative ref. Number) Description	F.R.T.
1	1141G7	FAN, ENGINE COOLING	0.2
2		(3)	
	1121A9	PULLEY, RECOIL STARTER	0.2
4	2161B5	FLYWHEEL	0.3

Ref. No.	Part No.	Description	Reqd. QTY		Serial No.	Parts catalogue code
			GX	UH1		
1	19511-Z7E-000	FAN, COOLING	1			
2	28450-Z7E-000	PULLEY COMP., STARTER	1		----- QXC9	
3	28451-Z7E-000	PULLEY, STARTER	1		----- QAA2, QTT, VPX5	
4	31110-Z7E-801	FLYWHEEL COMP.	1			
5	90201-ZE3-V00	NUT, SPECIAL, 16MM	1			
6	90741-ZE2-000	KEY, SPECIAL WOODRUFF, 25X18	1			



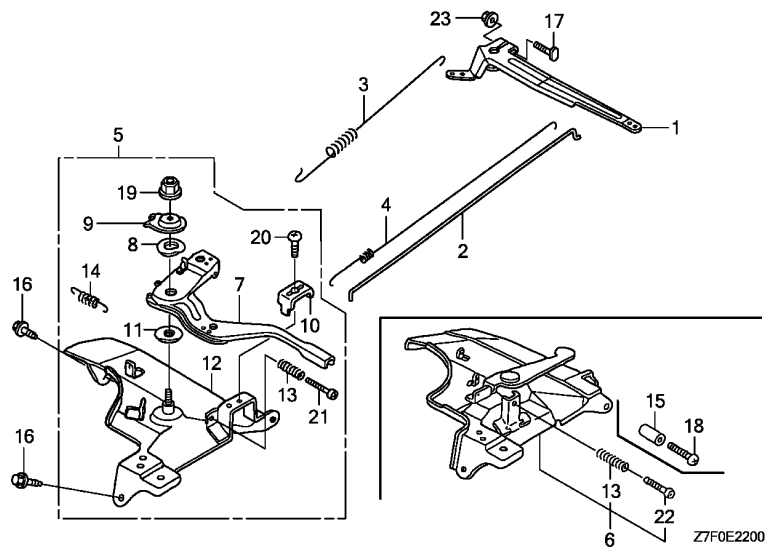


Z7F0E2000

Ref. No.	L.O.N.	(Relative ref. Number) Description	F.R.T.
1	6141A5	COIL, IGNITION(ONE)	0.2
2	6141B8	TERMINAL, HIGH TENSION	0.1
4	6111B3	CORD, STOP SWITCH	0.3

Ref. No.	Part No.	Description	Reqd. QTY	Serial No.	Parts catalogue code
			GX 390 UH1		
1	30500-Z7E-003	COIL ASSY., IGNITION	1		
2	30700-Z1T-003	CAP ASSY., NOISE SUPPRESSOR .	1		
3	31512-ZE2-000	GROMMET, CORD	1		
4	36101-ZE2-701	CORD, STOP SWITCH (430MM) ...	1		
5	90015-883-000	BOLT, FLANGE, 6X28	2		
6	90684-Z7E-000	CLIP, HARNESS	1		

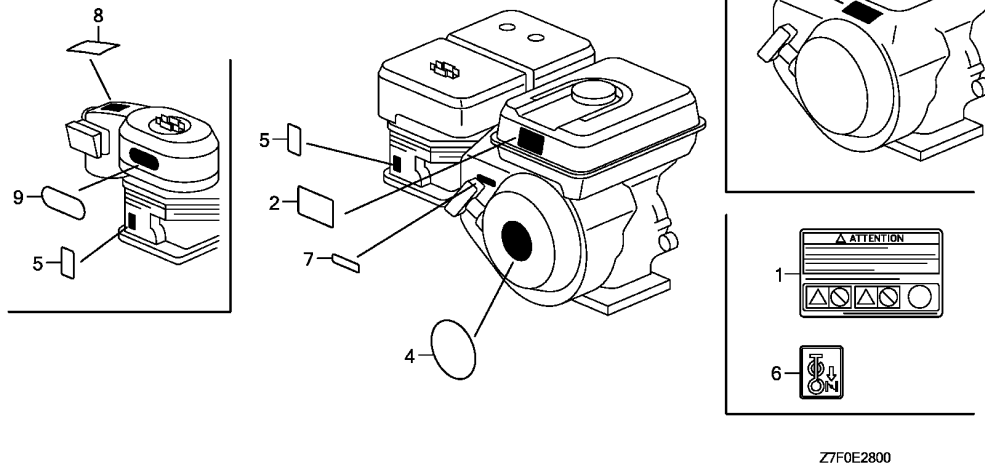
2



Ref. No.	L.O.N.	(Relative ref. Number) Description	F.R.T.
1	1161A0	ARM, GOVERNOR	0.2
2	1161B1	ROD, GOVERNOR	0.3
3	1161C5	SPRING, GOVERNOR	0.2
4	1161C2	SPRING, THROTTLE RETURN	0.3
5	1161A5	CONTROL, THROTTLE/GOVERNOR ...	0.2
7	1161A8	LEVER, CONTROL	0.3
12	1161A2	BASE, CONTROL	0.3

Ref. No.	Part No.	Description	Reqd. QTY	Serial No.	Parts catalogue code
			GX 390 UH1		
1	16551-ZE3-000	ARM, GOVERNOR	1		
2	16555-ZE3-000	ROD, GOVERNOR	1		
3	16561-ZE3-000	SPRING, GOVERNOR	1	-----	QAA2,QTT,QXC9
	16561-ZE3-710	1	-----	VPX5
4	16562-ZE3-000	SPRING, THROTTLE RETURN	1		
5	16570-ZE3-W20	CONTROL ASSY. (REMOTE)	1	-----	QAA2,QTT,QXC9
6	16570-ZE3-721	CONTROL ASSY.	1	-----	VPX5
7	16571-ZE3-W00	LEVER, CONTROL	1	-----	QAA2,QTT,QXC9
8	16574-ZE1-000	SPRING, LEVER	1	-----	QAA2,QTT,QXC9
9	16575-ZE2-W00	WASHER, CONTROL LEVER	1	-----	QAA2,QTT,QXC9
10	16576-891-000	HOLDER, CABLE	1	-----	QAA2,QTT,QXC9
11	16578-ZE1-000	SPACER, CONTROL LEVER	1	-----	QAA2,QTT,QXC9
12	16581-ZE3-W00	BASE COMP., CONTROL (###) ...	1	-----	QAA2,QTT,QXC9
13	16584-883-300	SPRING, CONTROL ADJUSTING ...	1		
14	16592-883-310	SPRING, CABLE RETURN	1	-----	QAA2,QTT,QXC9
15	16599-ZG1-M10	COLLAR, STOPPER	(1)	-----	VPX5
16	90013-883-000	BOLT, FLANGE, 6X12(CT200) ...	2		
17	90015-ZE5-010	BOLT, GOVERNOR ARM	1		
18	90016-ZG9-N30	SCREW, RECESSED, 5X25	(1)	-----	VPX5
19	90114-SAO-000	NUT, SELF-LOCK, 6MM	1	-----	QAA2,QTT,QXC9
20	93500-05016-0A	SCREW, PAN, 5X16	1	-----	QAA2,QTT,QXC9
21	93500-05032-0A	SCREW, PAN, 5X32	1	-----	QAA2,QTT,QXC9
22	93500-05045-0A	SCREW, PAN, 5X45	1	-----	VPX5
23	94050-06000	NUT, FLANGE, 6MM	1		





Ref. L.O.N. (Relative ref. Number) F.R.T.
No. Description

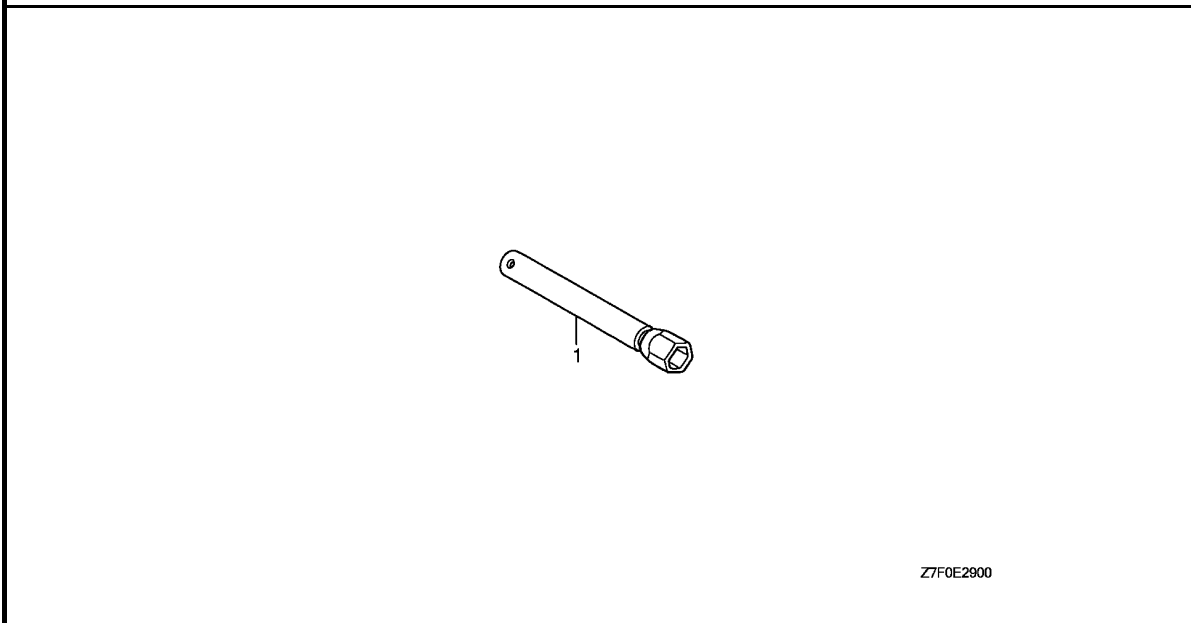
NO INFORMATION

Ref. No.	Part No.	Description	Reqd. QTY	Serial No.	Parts catalogue code
1	87516-ZH7-800	MARK, OPERATOR CAUTION (FRENCH)(MADE IN JAPAN)	1	-----	QXC9
	87516-Z4N-800	MARK, OPERATOR CAUTION (PICTOGRAPH)(MADE IN CHINA)	1	-----	QAA2,QTT,VPX5
2	87516-Z4N-000	MARK, OPERATOR CAUTION (ENGLISH)(MADE IN CHINA)	1	-----	QAA2,QXC9
	87516-Z4N-800	MARK, OPERATOR CAUTION (PICTOGRAPH)(MADE IN CHINA)	(1)	-----	QXC9
	87516-Z4N-810	MARK, OPERATOR CAUTION (FRENCH)(MADE IN CHINA)	(1)	-----	QAA2
3	87516-Z4N-000	MARK, OPERATOR CAUTION (ENGLISH)(MADE IN CHINA)	1	-----	QTT,VPX5
	87516-Z4N-810	MARK, OPERATOR CAUTION (FRENCH)(MADE IN CHINA)	(1)	-----	QTT,VPX5
4	87521-ZF6-W04	EMBLEM (HONDA GX390)	1	-----	
5	87528-Z7E-000	MARK, CHOKE	1	-----	QAA2,QTT,QXC9
6	87528-898-620	MARK, CHOKE	1	-----	VPX5
7	87532-ZH7-000	MARK, THROTTLE INDICATION ..	1	-----	QAA2,QTT,QXC9
8	87534-ZE1-841	LABEL, AIR CLEANER CAUTION ..	1	-----	QXC9
9	87535-ZE1-841	MARK, AIR CLEANER SALES POINT	1	-----	QXC9

E-29

TOOL

D 8



Z7F0E2900

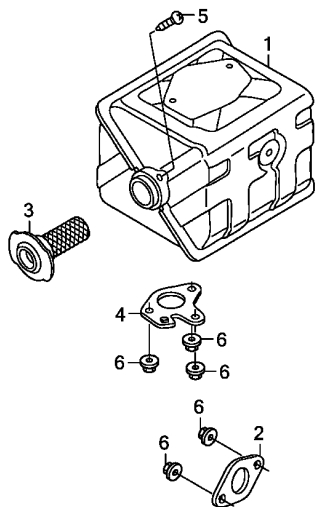
Ref. No.	L.O.N.	(Relative ref. Number) Description	F.R.T.
----------	--------	------------------------------------	--------

NO INFORMATION

Ref. No.	Part No.	Description	Reqd. QTY	Serial No.	Parts catalogue code
			GX 390 UH1		

1	89218-ZE1-000	WRENCH COMP., SPARK PLUG 1	-----	QAA2,QTT
---	---------------	--------------------------	--------	-------	----------

2

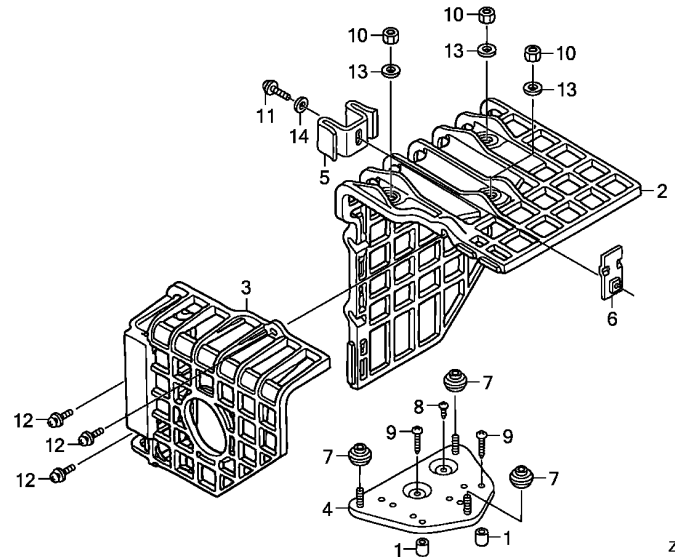


Z7F0E4000

Ref. L.O.N. (Relative ref. Number) F.R.T.
No. Description

NO INFORMATION

Ref. No.	Part No.	Description	Reqd. QTY		Serial No.	Parts catalogue code
			GX	UH1		
1	18310-ZE2-W61	MUFFLER COMP. (100DB)	1	-----	-----	VPX5
2	18333-ZE3-800	GASKET, EX. PIPE	1	-----	-----	VPX5
3	18355-ZE2-W00	ARRESTER, SPARK	1	-----	-----	VPX5
4	18381-ZE2-W10	GASKET, MUFFLER (ARRESTER) ..	1	-----	-----	VPX5
5	90050-ZE1-000	SCREW, TAPPING, 5X8	1	-----	-----	VPX5
	90055-ZE1-000	SCREW, TAPPING, 4X6	(1)	-----	-----	VPX5
6	94050-08000	NUT, FLANGE, 8MM	5	-----	-----	VPX5



Z7FOX0200

Ref. No.	L.O.N.	(Relative ref. Number) Description	F.R.T.
----------	--------	---------------------------------------	--------

NO INFORMATION

Ref. No.	Part No.	Description	Reqd. QTY	Serial No.	Parts catalogue code
			GX 390 UH1		
1	17233-896-701	COLLAR, AIR CLEANER CASE	(2)	-----	VPX5
2	18433-ZF6-W40	COVER COMP., MUFFLER	(1)	-----	VPX5
3	18434-ZF6-W40	COVER COMP., RR. MUFFLER	(1)	-----	VPX5
4	18436-ZH8-W40	BASE COMP., MUFFLER COVER	(1)	-----	VPX5
5	18437-ZF6-W40	STAY, MUFFLER COVER	(1)	-----	VPX5
6	18438-ZF6-W40	PLATE, SET	(1)	-----	VPX5
7	18466-ZH8-W40	SPACER, MUFFLER COVER	(3)	-----	VPX5
8	90050-ZE1-000	SCREW, TAPPING, 5X8	(1)	-----	VPX5
9	90050-ZH8-W40	SCREW, TAPPING, 5X25	(2)	-----	VPX5
10	90302-KF9-900	NUT, HEX., 5MM	(3)	-----	VPX5
11	93891-05012-00	SCREW-WASHER, 5X12	(1)	-----	VPX5
12	93891-06020-07	SCREW-WASHER, 6X20	(3)	-----	VPX5
13	94103-05700	WASHER, PLAIN, 5MM	(3)	-----	VPX5
14	94111-05000	WASHER, SPRING, 5MM	(1)	-----	VPX5



PART NO. INDEX

E 1

Part Number	Address	Page	Ref.	Part Number	Address	Page	Ref.	Part Number	Address	Page	Ref.	Part Number	Address	Page	Ref.			
11000				15000				16531-Z0A-000 C3 18 11				17410-ZE3-840 C16 31 9						
11300-Z7E-800	C3	18	1	15600-Z1T-600	C3	18	3	16541-Z7E-000	C2	17	2	17410-ZH9-N00	C15	30	9			
11381-ZE3-801	C3	18	2	15600-Z7E-000	C3	18	4	16551-ZE3-000	D6	37	1	17470-ZE3-842	C16	31	10			
12000				15625-Z0T-800	C3	18	5	16555-ZE3-000	D6	37	2	17475-ZE3-841	C16	31	11			
12000-Z7E-810	C2	17	1	15625-Z1T-000	C3	18	6	16561-ZE3-000	D6	37	3	17476-ZE3-841	C16	31	12			
12200-Z7E-000	C1	16	1	15721-ZB4-000	C1	16	9	16561-ZE3-710	D6	37	3	17510-ZE3-801ZA	D3	34	4			
12204-ZE2-306	C1	16	2	16000				16562-ZE3-000	D6	37	4	17510-ZE3-801ZC	D3	34	4			
12205-ZE2-305	C1	16	3	16010-ZA0-921	C13	28	1	16570-ZE3-721	D6	37	6	17620-Z4H-010	D3	34	5			
12209-Z7E-003	C6	21	1	16010-ZE2-812	C11	26	1	16570-ZE3-W20	D6	37	5	17631-Z4H-800	D3	34	6			
12216-ZE2-300	C1	16	4	16011-ZA0-931	C11	26	2	16571-ZE3-W00	D6	37	7	17672-Z4H-000	D3	34	7			
12251-ZF6-W00	C1	16	5	16013-Z1C-003	C11	26	3	16574-ZE1-000	D6	37	8	18000						
12310-ZE2-020	C1	16	6	16015-ZA0-931	C13	28	4	16575-ZE2-W00	D6	37	9	18310-ZE2-W61	D2	33	1			
12310-ZE3-791	C1	16	6	16015-ZE8-005	C11	26	4	16576-891-000	D6	37	10	D9	40	1	34150-ZH7-013	C2	17	3
12315-ZE3-840	C1	16	7	16016-ZH7-W01	C11	26	5	16578-ZE1-000	D6	37	11	D2	33	2	35000			
12391-ZE2-020	C1	16	8	16016-ZH8-W01	C13	28	5	16581-ZE3-W00	D6	37	12	D2	33	2	35480-Z7E-003	C2	17	4
13000				16024-124-760	C13	28	6	16584-883-300	D6	37	13	D2	33	3	35480-ZF6-003	C2	17	4
13010-Z5T-003	C5	20	1	16024-ZE1-811	C11	26	6	16592-883-310	D6	37	14	D2	33	4	36000			
13010-ZF6-005	C5	20	1	16028-ZA0-701	C13	28	7	16599-ZG1-M10	D6	37	15	D9	40	2	36100-ZF6-P82	C10	25	4
13011-Z5T-003	C5	20	1	16028-ZE0-005	C11	26	7	16610-ZE1-000	C11	26	18	D2	33	5	36101-ZE2-701	D5	36	4
13011-ZE2-005	C5	20	1	16044-ZE3-W20	C11	26	8	16611-ZE3-D21	C13	28	25	D2	33	6	36135-ZF6-D41	C14	29	28
13012-Z5T-003	C5	20	1	16100-Z7E-801	C11	26	9	16613-893-000	C14	29	26	D2	33	6	53000			
13012-ZF6-005	C5	20	1	16100-Z7F-801	C11	26	9	16615-893-000	C14	29	27	D9	40	3	8381-Z1C-801	D2	33	8
13013-Z5T-003	C5	20	1	16100-Z7F-811	C13	28	8	16731-Z7E-000	C10	25	1	D2	33	8	18381-ZE2-800	D2	33	8
13013-ZF6-005	C5	20	1	16124-ZE0-005	C11	26	10	16854-ZH8-000	D3	34	1	D2	33	7	18381-ZE2-W10	D2	33	7
13101-Z5T-000	C5	20	2	16148-141-881	C13	28	10	16910-GB2-005	D3	34	2	D9	40	4	81000			
13102-Z5T-000	C5	20	2	16166-ZF6-005	C13	28	11	16953-ZE1-812	C11	26	19	D10	41	2	53149-964-003	C14	29	29
13103-Z5T-000	C5	20	2	16166-ZF6-V00	C11	26	11	16954-ZE1-812	C11	26	20	D10	41	3	87000			
13104-Z5T-000	C5	20	2	16166-ZF6-W10	C11	26	11	16955-ZE1-000	D3	34	3	D10	41	3	81329-567-020	C10	25	5
13111-Z7E-000	C5	20	3	16172-ZE3-W10	C11	26	12	16956-ZE1-811	C11	26	21	D10	41	4	87000			
13200-Z1C-000	C5	20	4	17000				16957-ZE1-812	C11	26	22	D10	41	5	87000			
13200-Z1C-305	C5	20	4	17210-ZE3-010	C15	30	2	16967-ZE0-811	C12	27	23	D10	41	6	87000			
13200-ZE3-020	C5	20	4	17211-899-000	D1	31	2	19000				18466-ZH8-W40	D10	41	7	87000		
13200-ZE3-315	C5	20	4	17212-ZB4-003	D1	32	2	19511-Z7E-000	D4	35	1	D7	38	2	87000			
13310-Z7E-800	C4	19	1	17218-ZE3-000	C15	30	3	19610-Z7E-000ZA	C10	25	2	D7	38	1	87000			
13310-Z7E-810	C4	19	2	17219-ZE3-840	C16	31	4	19610-Z7E-000ZB	C10	25	2	D7	38	1	87000			
13351-Z7E-000	C4	19	3	17220-ZB4-003	D1	32	3	19610-Z7E-810ZA	C10	25	2	D7	38	2	87000			
14000				17222-ZC2-000	D1	32	4	19631-ZE3-W00	C10	25	3	D7	38	2	87000			
14100-ZF6-W01	C6	21	2	17230-ZE3-841	C16	31	5	28000				87516-Z4N-000	D7	38	2			
14410-Z7E-000	C6	21	3	17231-899-000	D1	32	5	28400-Z7E-003ZA	C9	24	1	D7	38	4	87000			
14431-ZE2-010	C6	21	4	17231-ZE3-W01	C15	30	4	28400-Z7E-003ZB	C9	24	1	D7	38	6	87000			
14441-Z7E-000	C6	21	5	17232-891-000	C15	30	5	28410-Z7E-003ZA	C9	24	2	D7	38	5	87000			
14451-Z7E-000	C6	21	6	17233-896-701	D10	41	1	28410-Z7E-003ZB	C9	24	2	D7	38	7	87000			
14568-ZE1-000	C6	21	7	17235-899-000	D1	32	6	28420-Z7E-003	C9	24	3	D7	38	8	87000			
14711-Z7E-000	C6	21	8	17235-ZH9-N01	C15	30	6	28422-ZH8-801	C9	24	4	D7	38	9	87000			
14721-Z7E-000	C6	21	9	17236-899-000	D1	32	7	28431-ZH8-801	C9	24	5	D7	38	9	87000			
14751-Z7E-000	C6	21	10	17238-ZE2-310	C15	30	7	28433-Z2E-003	C9	24	6	D7	38	9	87000			
14771-ZE2-000	C6	21	11	17239-ZE1-000	C15	30	8	28441-Z2E-003	C9	24	7	D7	38	9	87000			
14773-ZE2-000	C6	21	12	17239-ZE3-840	C16	31	8	28442-Z7E-003	C9	24	8	D7	38	9	87000			
14775-ZE2-010	C6	21	13	17252-899-000	D1	32	8	28443-ZH8-801	C9	24	9	D7	38	9	87000			
14781-Z7E-000	C6	21	14	17316-611-000	C1	16	10	28450-Z7E-000	D4	35	2	D7	38	9	87000			
14791-Z7E-000	C6	21	15	17367-413-690	D1	32	9	28451-Z7E-000	D4	35	3	D7	38	9	87000			
												88911-MJ3-000	C14	29	30	89000		
												89218-ZE1-000	D8	39	1	89000		

PART NO. INDEX

Part Number	Address	Page	Ref.	Part Number	Address	Page	Ref.	Part Number	Address	Page	Ref.	Part Number	Address	Page	Ref.
90000								98000							
90001-ZE8-000	C5	20	5	91353-Z7E-003	D3	34	9	98079-55846	C1	16	17				
90003-ZH8-801	C9	24	12	91424-Z4K-801	D3	34	10	98079-55855	C1	16	17				
90006-ZE2-000	D2	33	9	91424-Z5L-801	D3	34	11	98079-55876	C1	16	17				
90008-ZE2-003	C9	24	13	91424-Z5R-801	D3	34	11	98079-56846	C1	16	17				
90009-ZE2-003	C15	30	10	92000				98079-56855	C1	16	17				
	C16	31	13	92900-08032-0E	C1	16	14	98079-56876	C1	16	17				
90012-ZE0-010	C6	21	16	93000											
90013-883-000	C2	17	5	93500-03006-1H	C12	27	24	99101-ZH8-0880	C12	27	26				
	C10	25	6	93500-05012-0A	C14	29	38	99101-ZH8-0900	C12	27	26				
	D2	33	10	93500-05016-0A	D6	37	20	99101-ZH8-0920	C12	27	26				
	D6	37	16	93500-05032-0A	D6	37	21	99101-ZH8-0950	C12	27	26				
90014-ZE2-000	C1	16	11	93500-05045-0A	D6	37	22	99101-ZH8-0980	C12	27	26				
90015-883-000	D5	36	5	93891-05012-00	D10	41	11	99101-ZH8-1000	C12	27	26				
90015-ZE5-010	D6	37	17	93891-06020-07	D10	41	12	99101-ZH8-1020	C14	29	44				
90016-ZG9-N30	D6	37	18	94000				99101-ZH8-1050	C14	29	44				
90042-ZE3-700	C1	16	12	94050-05000	D1	32	10	99101-ZH8-1080	C14	29	44				
90042-ZE8-000	C1	16	12	94050-06000	C14	29	39	99204-ZA0-0450	C12	27	27				
90050-ZE1-000	D2	33	11		C15	30	13		C14	29	45				
		12		94050-08000	D2	33	13								
	D9	40	5		D3	34	12								
	D10	41	8	94050-10000	D9	40	6								
90050-ZH8-W40	D10	41	9	94050-10000	C2	17	11								
90055-ZE1-000	D2	33	12	94101-06800	C3	18	15								
	D9	40	5	94103-05000	C14	29	40								
90114-SA0-000	D6	37	19	94103-05700	D10	41	13								
90131-883-000	C2	17	6	94109-12000	C2	17	12								
90142-MB0-000	C16	31	14	94111-05000	D10	41	14								
90201-ZE3-V00	D4	35	5	94251-10000	C2	17	13								
90203-ZA0-800	C15	30	11	94301-12200	C1	16	15								
90206-ZE1-000	C6	21	17	94305-20122	C12	27	25								
90302-KF9-900	D10	41	10	95000											
90325-044-000	C15	30	12	95002-02070	C14	29	41								
	C16	31	15	95002-40800-08	D3	34	13								
90431-ZE2-700	C14	29	31	95005-11105-30	C1	16	7								
90432-ZE2-700	C14	29	32	95005-35075-10	C14	29	42								
90433-ZE2-700	C14	29	33	95005-35130-10	C14	29	43								
90434-ZE2-700	C14	29	34	95701-06012-00	C2	17	14								
90441-ZE2-010	C1	16	13	95701-08025-00	D3	34	14								
90446-Z7E-000	C2	17	7	95701-08040-00	C3	18	16								
90601-Z7E-000	C14	29	35	95701-10080-00	C1	16	16								
90601-ZE3-000	C5	20	6	95725-10080-00	C1	16	16								
90602-Z7E-000	C14	29	36	96000											
90602-ZE1-000	C3	18	12	96100-62020-00	C2	17	15								
90603-Z7E-000	C14	29	37	96100-62070-00	C3	18	17								
90684-Z7E-000	D5	36	6		C3	18	17								
90701-Z7E-000	C3	18	13		C2	17	15								
90741-ZE2-000	D4	35	6		C3	18	17								
90745-ZE2-600	C4	19	4		C3	18	17								
90854-ZB3-000	D3	34	8		C2	17	10								
91000															
91001-ZF6-013	C4	19	5												
91201-Z7E-003	C2	17	8												
	C3	18	14												
91203-Z7E-003	C2	17	9												
91353-671-004	C2	17	10												

PART NAME INDEX

F 1

Part name	Address	Page	Ref.	Part name	Address	Page	Ref.	Part name	Address	Page	Ref.
[A]				CLIP, BREATHER TUBE	C1	16	10	FLYWHEEL COMP.	D4	35	4
ALERT UNIT, OIL	C2	17	3	CLIP, GOVERNOR HOLDER	C3	18	12	[G]			
ARM, GOVERNOR	D6	37	1	CLIP, HARNESS	D5	36	6	GASKET SET	C11	26	1
ARM, VALVE ROCKER	C6	21	4	CLIP, PISTON PIN, 20MM	C5	20	6	GASKET, CYLINDER HEAD	C13	28	1
ARRESTER, SPARK	D2	33	6	CLIP, TUBE	C10	25	1	GASKET, EX. PIPE	D2	33	5
	D9	40	3		C14	29	41	GASKET, MUFFLER	D9	40	2
[B]				CLIP, VALVE GUIDE	C1	16	4		D2	33	5
BARREL ASSY., CYLINDER	C2	17	1	COIL ASSY., IGNITION	D5	36	1		D2	33	5
BASE COMP., CONTROL	D6	37	12	COLLAR B, AIR CLEANER	C15	30	8		D2	33	7
BASE COMP., MUFFLER COVER	D10	41	4		C16	31	8		D2	33	7
BEARING, RADIAL BALL, 6202	C2	17	15	COLLAR, AIR CLEANER	C15	30	7		D9	40	4
	C3	18	17		C16	31	7	GOVERNOR ASSY.	C3	18	7
BEARING, RADIAL BALL, 6207	C3	18	18	COLLAR, AIR CLEANER CASE	D10	41	1	GROMMET, AIR CLEANER	C15	30	5
BEARING, RADIAL BALL, 6207SH	C4	19	5	COLLAR, LEVER	C14	29	34		C16	31	6
BOLT-WASHER, 6X22	C15	30	10	COLLAR, SETTING	C11	26	12	GROMMET, CHOKE ROD	C14	29	26
	C16	31	13		C13	28	12	GROMMET, CORD	D5	36	3
BOLT, CONNECTING ROD	C5	20	5	COLLAR, STOPPER	D6	37	15	GROMMET, DRAIN HOLE	C10	25	5
BOLT, DRAIN PLUG, 12X15	C2	17	6	CONTROL ASSY.	D6	37	5	GROMMET, FENDER	C14	29	30
BOLT, FLANGE, 10X80	C1	16	16	CORD, STOP SWITCH	D5	36	4	GUIDE, CHOKE ROD	C14	29	27
BOLT, FLANGE, 6X10	C9	24	13	COVER ASSY., CRANKCASE	C3	18	1	GUIDE, EX. VALVE	C1	16	3
BOLT, FLANGE, 6X12	C2	17	5	COVER COMP., AIR CLEANER	C16	31	5	GUIDE, IN. VALVE	C1	16	2
	C10	25	6		D1	32	5	GUIDE, PRE AIR CLEANER	C16	31	12
	D2	33	10	COVER COMP., FAN	C10	25	2	GUIDE, PUSH ROD	C6	21	15
	D6	37	16	COVER COMP., HEAD	C1	16	6	GUIDE, RATCHET	C9	24	6
BOLT, FLANGE, 6X28	D5	36	5	COVER COMP., MUFFLER	D10	41	2	[H]			
BOLT, FLANGE, 8X25	D3	34	14	COVER COMP., RR. MUFFLER	D10	41	3	HEAD COMP., CYLINDER	C1	16	1
BOLT, FLANGE, 8X40	C3	18	16	COVER, AIR CLEANER	C15	30	4	HOLDER, CABLE	D6	37	10
BOLT, GOVERNOR ARM	D6	37	17	CRANKSHAFT COMP.	C4	19	1	HOLDER, GOVERNOR WEIGHT	C3	18	9
BOLT, HEAD COVER	C1	16	11					[I]			
BOLT, PIVOT, 8MM	C6	21	16	CUP, FUEL STRAINER	C12	27	23	INSULATOR, CARBURETOR	C11	26	14
BOLT, STUD, 8X106	C1	16	12	[D]					C13	28	13
BOLT, STUD, 8X131.5	C1	16	12	DIAPHRAGM ASSY.	C13	28	24	[J]			
BOLT, STUD, 8X32	C1	16	14	DOWEL PIN, 12X20	C1	16	15	JET SET, PILOT,	C12	27	27
BUSH, ARM PIVOT	C14	29	29	DOWEL PIN, 8X12	C3	18	13		C14	29	45
[C]				[E]				JET, MAIN,	C12	27	26
CAMSHAFT ASSY.	C6	21	2	ELBOW COMP., AIR CLEANER	C15	30	9	JOINT, FUEL TANK	D3	34	3
CAP ASSY., NOISE SUPPRESSOR ..	D5	36	2		C16	31	2	JOINT, ROD	C13	28	19
CAP ASSY., OIL FILLER	C3	18	3	ELEMENT, AIR CLEANER	C15	30	2	[K]			
			4		C16	31	2	KEY, 6.3X6.3X43	C4	19	4
CAP COMP., FUEL FILLER	D3	34	5		D1	32	1	KEY, SPECIAL WOODRUFF, 25X18 ..	D4	35	6
CAP, CHOKE DUST	C13	28	10	EMBLEM	D7	38	4	KNOB, RECOIL STARTER	C9	24	10
CAP, PRE AIR CLEANER	C16	31	11	E-RING, 2MM	C14	29	35	[L]			
CARBURETOR ASSY.	C11	26	9	E-RING, 4MM	C14	29	36	LABEL, AIR CLEANER CAUTION	D7	38	8
	C13	28	8	E-RING, 7MM	C14	29	37	LEVER COMP., CHOKE	C11	26	18
CASE COMP., AIR CLEANER	D1	32	3	[F]				LEVER, CHOKE	C13	28	18
CASE COMP., PRE AIR CLEANER ..	C16	31	10	FAN, COOLING	D4	35	1	LEVER, COCK	C11	26	19
CASE COMP., RECOIL STARTER ..	C9	24	2	FILTER, DRAIN TUBE	D1	32	9	LEVER, CONTROL	D6	37	7
CHAMBER SET, FLOAT	C11	26	4	FILTER, FUEL	D3	34	7				
	C13	28	4	FILTER, OUTER	C15	30	3				
CHOKE SET	C11	26	8	FLOAT SET	C11	26	3				
CLAMP, TUBE	D3	34	13		C13	28	3				
CLIP A, AIR CLEANER WIRE	D1	32	6								
CLIP B, AIR CLEANER WIRE	D1	32	7								

PART NAME INDEX

F 2

Part name	Address	Page	Ref.	Part name	Address	Page	Ref.	Part name	Address	Page	Ref.
LIFTER, VALVE	C6	21	5	PACKING, INSULATOR	C13	28	15	SCREW, TAPPING, 5X8	D9	40	5
[M]				PACKING, OIL FILLER CAP	C3	18	5	SCREW, TAPPING, 6X10	D10	41	8
MARK, AIR CLEANER SALES POINT	D7	38	9	PIN, GOVERNOR WEIGHT	C3	18	10	SCREW, THROTTLE STOP	D2	33	9
MARK, CHOKE	D7	38	5	PIN, LOCK, 10MM	C2	17	13	SEAL, AIR CLEANER	C11	26	10
MARK, OPERATOR CAUTION	D7	38	1	PIN, PISTON	C5	20	3	SEAL, CHOKE LEVER	C13	28	9
				PIN, SPRING, 2X12	C12	27	25	SEAL, VALVE STEM	D1	32	8
				PIPE, EX.	D2	33	4	SEAL, CHOKE LEVER	C14	29	32
				PISTON	C5	20	2	SEAT, VALVE STEM	C6	21	1
				PIVOT, ROCKER ARM	C6	21	6	SEAT, VALVE SPRING	C6	21	13
MARK, THROTTLE INDICATION	D7	38	7	PLATE, FRICTION	C9	24	5	SEPARATOR, AIR CLEANER	D1	32	2
MUFFLER COMP.	D2	33	1	PLATE, LEVER SETTING	C11	26	20	SHAFT, GOVERNOR ARM	C2	17	2
	D9	40	1	PLATE, SET	D10	41	6	SHROUD	C10	25	3
[N]				PLUG, SPARK	C1	16	17	SLIDER, GOVERNOR	C3	18	11
NOSE, SILENCER	C15	30	6	PROTECTOR COMP., MUFFLER	D2	33	2	SPACER COMP., CARBURETOR	C11	26	15
NOZZLE, MAIN	C11	26	11	PROTECTOR, EX. PIPE	D2	33	3	SPACER, CONTROL LEVER	D6	37	11
	C13	28	11	PULLEY COMP., STARTER	D4	35	2	SPACER, MUFFLER COVER	D10	41	7
NUT, FLANGE, 10MM	C2	17	11	PULLEY, STARTER	D4	35	3	SPRING, CABLE RETURN	D6	37	14
NUT, FLANGE, 5MM	D1	32	10	[R]				SPRING, COCK LEVER	C11	26	21
NUT, FLANGE, 6MM	C14	29	39	RATCHET, STARTER	C9	24	4	SPRING, CONTROL ADJUSTING	D6	37	13
	C15	30	13	REEL, RECOIL STARTER	C9	24	3	SPRING, FRICTION	C9	24	7
	C16	31	16	RETAINER, EX. VALVE SPRING	C6	21	12	SPRING, GOVERNOR	D6	37	3
	D1	32	11	RETAINER, IN. VALVE SPRING	C6	21	11	SPRING, LEVER	D6	37	8
	D6	37	23	RING SET, PISTON	C5	20	1	SPRING, MANUAL CHOKE	C13	28	22
NUT, FLANGE, 8MM	D2	33	13	ROD ASSY., CONNECTING	C5	20	4	SPRING, RECOIL STARTER	C9	24	8
	D3	34	12	ROD, CHOKE	C13	28	20	SPRING, RETURN	C9	24	9
	D9	40	6	ROD, CHOKE CONTROL	C13	28	25	SPRING, THROTTLE RETURN	D6	37	4
NUT, HEX., 5MM	D10	41	10	ROD, GOVERNOR	D6	37	2	SPRING, VALVE	C6	21	10
NUT, PIVOT ADJUSTING	C6	21	17	ROD, PUSH	C6	21	3	SPRING, WEIGHT RETURN	C6	21	7
NUT, SELF-LOCK, 6MM	D6	37	19	ROPE, RECOIL STARTER	C9	24	11	STARTER ASSY., RECOIL	C9	24	1
NUT, SPECIAL, 16MM	D4	35	5	ROTATOR, VALVE	C6	21	14	STAY ASSY., MANUAL CHOKE	C13	28	16
NUT, TOOL BOX SETTING	C15	30	12	RUBBER, FUEL	D3	34	8	STAY COMP., SOLENOID	C13	28	17
	C16	31	15	RUBBER, SUPPORTER	D3	34	1	STAY, AIR CLEANER	D1	32	4
NUT, WING, 6MM	C15	30	11	[S]				STAY, MUFFLER COVER	D10	41	5
[O]				SCREW-WASHER, 5X12	D10	41	11	STOPPER, CHOKE ROD	C13	28	21
OIL SEAL, 35X52X8	C2	17	8	SCREW-WASHER, 6X20	D10	41	12	STRAINER COMP., FUEL	D3	34	2
	C3	18	14	SCREW SET	C11	26	7	SWITCH ASSY., ENGINE STOP	C10	25	4
OIL SEAL, 8X14X5	C2	17	9		C13	28	5	SWITCH ASSY., OIL LEVEL	C2	17	4
O-RING, 14MM	C2	17	10	SCREW SET, DRAIN	C11	26	6	[T]			
	D3	34	9		C13	28	6	TANK COMP., FUEL	D3	34	4
[P]				SCREW SET, PILOT	C11	26	5	TUBE, 11X105	C1	16	7
PACKING, AIR CLEANER	C13	28	23	SCREW, PAN, 3X6	C12	27	24	TUBE, 3.5X130	C14	29	43
PACKING, AIR CLEANER COVER	C16	31	4	SCREW, PAN, 5X12	C14	29	38	TUBE, 3.5X75	C14	29	42
PACKING, CARBURETOR	C11	26	16	SCREW, PAN, 5X16	D6	37	20	TUBE, BREATHER	C1	16	7
	C13	28	14	SCREW, PAN, 5X16.5	C16	31	14	TUBE, FUEL, 4.5X180	D3	34	10
	C3	18	2	SCREW, PAN, 5X32	D6	37	21	TUBE, FUEL, 4.5X235	D3	34	11
PACKING, CASE COVER	C3	18	2	SCREW, PAN, 5X45	D6	37	22	TUBE, FUEL, 4.5X260	D3	34	11
PACKING, ELBOW	C15	30	1	SCREW, RECESSED, 5X25	D6	37	18	[V]			
	C16	31	1	SCREW, SETTING	C9	24	12	VALVE SET, FLOAT	C11	26	2
PACKING, FUEL COCK	C11	26	22	SCREW, TAPPING, 4X6	D2	33	12		C13	28	2
PACKING, FUEL FILLER CAP	D3	34	6	SCREW, TAPPING, 5X8	D2	33	11	VALVE, DASHPOT CHECK	C14	29	28
PACKING, FUEL STRAINER CUP	C11	26	13	SCREW, TAPPING, 5X25	D10	41	9	VALVE, EX.	C6	21	9
PACKING, HEAD COVER	C1	16	8	SCREW, TAPPING, 5X8	D2	33	11	VALVE, IN.	C6	21	8
PACKING, INSULATOR	C11	26	17								

PART NAME INDEX

F 3

Part name	Address	Page	Ref.	Part name	Address	Page	Ref.	Part name	Address	Page	Ref.
[W]											
WASHER COMP., HEAD COVER	C1	16	13								
WASHER, 8.2X17X0.8	C2	17	7								
WASHER, CHOKE LEVER	C14	29	31								
WASHER, CONTROL LEVER	D6	37	9								
WASHER, DRAIN PLUG, 12MM	C2	17	12								
WASHER, PLAIN, 5MM	C14	29	40								
	D10	41	13								
WASHER, PLAIN, 6MM	C3	18	15								
WASHER, SPRING, 5MM	D10	41	14								
WASHER, THRUST, 2.7X8	C14	29	33								
WEIGHT, BALANCER	C4	19	3								
WEIGHT, GOVERNOR	C3	18	8								
WRENCH COMP., SPARK PLUG	D8	39	1								

1

FOREWORD INDEX

2

ENGINE GROUP

3

PART NUMBER INDEX

4

PART NAME INDEX

HONDA
The Power of Dreams

July 27, 2008



PARTS CATALOGUE NEWS

Honda Motor Co., Ltd. Service Division

PARTS CATALOGUE - CORRECTED

Printed in Japan

CODE NO.	13Z7F801
PARTS CATALOGUE NEWS	GX390UH1
NEWS NO.	001

Block No.	Ref. No.	Note	Part No.	Description	Reqd. QTY	Serial No.	Parts catalogue code
					GX 390 UH1		
E-3	1	E	12000-27E-810	*PARTS NO. DELETION			
		D	12000-27E-406	BARREL ASSY., CYLINDER (ALERT)	1		

NOTE A:PART NO. CHANGE D:NEWLY PROVIDED E:PART NO. DELETION K:REQUIRED NO. CORRECTION L:APPLICATION SERIAL NO. CORRECTION
T:APPLICATION CORRECTION Z:REMARKS CHANGE



PARTS CATALOGUE NEWS

Honda Motor Co., Ltd. Service Division

PARTS CATALOGUE - CORRECTED

Printed in Japan

CODE NO.	13Z7F801
PARTS CATALOGUE NEWS	GX390UH1
NEWS NO.	002

Block No.	Ref. No.	Note	Part No.	Description	Reqd. QTY GX 390 UH1	Serial No.	Parts catalogue code
-----------	----------	------	----------	-------------	-------------------------------	------------	----------------------

ENGINE SERIAL NO. CORRECTED

Model	Type	Parts catalogue type	Applicable engine serial No.
GX390UH1	QAA2	QAA2	GCAHH-1000001~
	QTT	QTT	
	QXC9	QXC9	
	VPX5	VPX5	

➔

Applicable engine serial No.
GCAHH-0000001~

E-8	2		13101-25T-000	PISTON (STD.)	1	-----	0000010
			13102-25T-000	PISTON (0.25)	(1)	-----	0000010
			13103-25T-000	PISTON (0.50)	(1)	-----	0000010
			13104-25T-000	PISTON (0.75)	(1)	-----	0000010
	A		13101-27E-800	PISTON (STD.)	1	0000011	
	A		13102-27E-800	PISTON (0.25)	(1)	0000011	
	A		13103-27E-800	PISTON (0.50)	(1)	0000011	
	A		13104-27E-800	PISTON (0.75)	(1)	0000011	

NOTE A:PART NO. CHANGE D:NEWLY PROVIDED E:PART NO. DELETION K:REQUIRED NO. CORRECTION L:APPLICATION SERIAL NO. CORRECTION
T:APPLICATION CORRECTION Z:REMARKS CHANGE

PARTS CATALOGUE NEWS

BOOKNo. : 13Z7F801

Block No.	Ref. No.	Note	Part No.	Description	Reqd. QTY		Serial No.	Parts catalogue code
					GX 390 UH1			
E-17	5		17620-Z4H-010	CAP COMP., FUEL FILLER	1	-----	0000010	QAA2, QXC9
		A	17620-Z4H-020	1	-----	0000011	QAA2, QXC9
	6		17631-Z4H-800	PACKING, FUEL FILLER CAP (39X62X3)	1	-----	0000010	QAA2, QXC9
		A	17631-Z0T-801	1	-----	0000011	QAA2, QXC9

NOTE A:PART NO. CHANGE D:NEWLY PROVIDED E:PART NO. DELETION K:REQUIRED NO. CORRECTION L:APPLICATION SERIAL NO. CORRECTION
T:APPLICATION CORRECTION Z:REMARKS CHANGE

February 15, 2009



PARTS CATALOGUE NEWS

Honda Motor Co., Ltd. Service Division

PARTS CATALOGUE - CORRECTED

Printed in Japan

CODE NO.	13Z7F801
PARTS CATALOGUE NEWS	GX390UH1
NEWS NO.	003

Block No.	Ref. No.	Note	Part No.	Description	Reqd. QTY	Serial No.	Parts catalogue code
E-16	7	D	18381-Z8S-801	GASKET, MUFFLER (ARRESTER) (THAI LEAKLESS)	1 GX 390 UH1	-----	QAA2, QTT

NOTE A:PART NO. CHANGE D:NEWLY PROVIDED E:PART NO. DELETION K:REQUIRED NO. CORRECTION L:APPLICATION SERIAL NO. CORRECTION
T:APPLICATION CORRECTION Z:REMARKS CHANGE



PARTS CATALOGUE NEWS

Honda Motor Co., Ltd. Service Division

PARTS CATALOGUE - CORRECTED

Printed in Japan

CODE NO.	13Z7F801
PARTS CATALOGUE NEWS	GX390UH1
NEWS NO.	004

Block No.	Ref. No.	Note	Part No.	Description	Reqd. QTY	Serial No.	Parts catalogue code
-----------	----------	------	----------	-------------	-----------	------------	----------------------

PARTS NAME CORRECTED

E-28	1	T	87516-Z4N-800	MARK, OPERATOR CAUTION (FRENCH) (MADE IN CHINA)	1	-----	QAA2, QTT, VPX5
					(1)	-----	QXC9
	2	E	87516-Z4N-800	*PARTS NO. DELETION			
		Z	87516-Z4N-810	MARK, OPERATOR CAUTION (PICTOGRAPH) (MADE IN CHINA)	(1)	-----	QAA2
	3	Z	87516-Z4N-810	MARK, OPERATOR CAUTION (PICTOGRAPH) (MADE IN CHINA)	(1)	-----	QTT, VPX5

NOTE A:PART NO. CHANGE D:NEWLY PROVIDED E:PART NO. DELETION K:REQUIRED NO. CORRECTION L:APPLICATION SERIAL NO. CORRECTION
T:APPLICATION CORRECTION Z:REMARKS CHANGE



PARTS CATALOGUE NEWS

Honda Motor Co., Ltd. Service Division

PARTS CATALOGUE - CORRECTED

Printed in Japan

CODE NO.	13Z7F801
PARTS CATALOGUE NEWS	GX390UH1
NEWS NO.	005

Block No.	Ref. No.	Note	Part No.	Description	Reqd. QTY		Serial No.	Parts catalogue code
					GX 390 UH1			
E-8	1	E	13010-ZF6-005	*PARTS NO. DELETION				
		E	13011-ZF6-005	*PARTS NO. DELETION				
		E	13012-ZF6-005	*PARTS NO. DELETION				
		E	13013-ZF6-005	*PARTS NO. DELETION				
	D		13010-Z5R-004	RING SET, PISTON (STD.) (TEIKOKU)	1			
	D		13011-Z5R-004	RING SET, PISTON (0.25) (TEIKOKU)	(1)			
	D		13012-Z5R-004	RING SET, PISTON (0.50) (TEIKOKU)	(1)			
	D		13013-Z5R-004	RING SET, PISTON (0.75) (TEIKOKU)	(1)			

NOTE A:PART NO. CHANGE D:NEWLY PROVIDED E:PART NO.DELETION K:REQUIRED NO. CORRECTION L:APPLICATION SERIAL NO. CORRECTION
T:APPLICATION CORRECTION Z:REMARKS CHANGE